

## II

(Non-legislative acts)

## REGULATIONS

## COMMISSION REGULATION (EU) No 164/2010

of 25 January 2010

**on the technical specifications for electronic ship reporting in inland navigation referred to in Article 5 of Directive 2005/44/EC of the European Parliament and of the Council on harmonised river information services (RIS) on inland waterways in the Community**

THE EUROPEAN COMMISSION,

Having regard to the Treaty on the Functioning of the European Union,

Having regard to Directive 2005/44/EC of the European Parliament and of the Council of 7 September 2005 on harmonised river information services (RIS) on inland waterways in the Community <sup>(1)</sup>, and in particular Article 5, paragraph 1, point (b), thereof,

Whereas:

- (1) RIS should be developed and implemented in a harmonised, interoperable and open way.
- (2) The technical specifications for electronic ship reporting in inland navigation should be defined.
- (3) The technical specifications for electronic ship reporting should be based on the technical principles set out in Annex II to the Directive.
- (4) The technical specifications should take due account of the work carried out by relevant international organisations. Continuity shall be ensured with other modal traffic management services, in particular maritime vessel traffic management and information services.

(5) They should also take due account of the work carried out by the expert group on electronic ship reporting which is composed of representatives of the authorities of the Member States responsible for the implementation of electronic ship reporting, and official members from other governmental bodies as well as observers from the industry.

(6) The technical specifications should correspond to the current state of the art. Experiences gained from the application of Directive 2005/44/EC as well as future technical progress may make it necessary to amend the technical specifications. Amendments to the technical specifications should take due account of the work carried out by the expert group on electronic ship reporting.

(7) The measures provided for in this Regulation are in accordance with the opinion of the Committee established pursuant to Article 7 of Council Directive 91/672/EEC of 16 December 1991 on the reciprocal recognition of national boatmasters' certificates for the carriage of goods and passengers by inland waterways <sup>(2)</sup>,

HAS ADOPTED THIS REGULATION:

*Article 1*

The technical specifications for electronic ship reporting in inland navigation are defined in the Annex.

<sup>(1)</sup> OJ L 255, 30.9.2005, p. 152.

<sup>(2)</sup> OJ L 373, 31.12.1991, p. 29.

*Article 2*

This Regulation shall enter into force on the day following its publication in the *Official Journal of the European Union*.

This Regulation shall be binding in its entirety and directly applicable in all Member States.

Done at Brussels, 25 January 2010.

*For the Commission*  
*The President*  
José Manuel BARROSO

---

## ANNEX

## TABLE OF CONTENTS

1.	Part I: Message implementation manual convention .....	4
1.1.	Introduction .....	4
1.2.	UN/EDIFACT message structure .....	5
1.2.1.	Description of the segments and data elements .....	5
1.2.2.	Syntax .....	6
1.2.2.1.	Character sets .....	6
1.2.2.2.	Interchange structures .....	6
1.2.2.3.	Interchange .....	7
1.2.2.4.	Order of segments and groups of segments within a message .....	7
1.2.2.5.	Segment structure .....	7
1.2.2.6.	Data element structure .....	7
1.2.2.7.	Compressing .....	8
1.2.2.8.	Representation of numeric data element values .....	8
1.3.	Messages .....	10
1.3.1.	ERINOT .....	10
1.3.2.	PAXLST .....	11
1.3.3.	ERIRSP .....	11
1.3.4.	BERMAN .....	11
1.4.	Amendment procedures .....	11
2.	Part II: Codes and references .....	11
2.1.	Introduction .....	11
2.2.	Clarifications .....	12
2.2.1.	Terminology .....	12
2.2.2.	WCO and the HS .....	12
2.3.	Definitions .....	13
2.4.	Classifications and code descriptions .....	16
2.4.1.	Updating of codes and reference tables .....	17
2.4.2.	Descriptions of the code tables .....	18
2.4.2.1.	Vessel and convoy type .....	18
2.4.2.2.	Official ship number (OFS) .....	19
2.4.2.3.	IMO ship identification number .....	19
2.4.2.4.	Electronic reporting number (for ship identification) ERN .....	20

2.4.2.5.	Unique European vessel identification number	21
2.4.2.6.	Harmonised system code (HS)	21
2.4.2.7.	Combined Nomenclature (CN)	22
2.4.2.8.	Standard goods classification for transport statistics/revised (NST) 2000	23
2.4.2.9.	UN dangerous goods number (UNDG)	26
2.4.2.10.	International maritime dangerous goods code (IMDG)	27
2.4.2.11.	ADN/R/D	28
2.4.2.12.	UN country code	29
2.4.2.13.	UN location code — UN/LOCODE	29
2.4.2.14.	Fairway section code	30
2.4.2.15.	Terminal code	31
2.4.2.16.	Freight container size and type code	32
2.4.2.17.	Container identification code	32
2.4.2.18.	Package type	33
2.4.2.19.	Handling instructions	34
2.4.2.20.	Purpose of call	34
2.4.2.21.	Nature of cargo	35
2.5.	Unique European vessel identification number	35
2.6.	Definition of the ERI vessel types	36
2.7.	Location codes	40
2.7.1.	Data elements	40
2.7.2.	Example	41

## Abbreviations

### Appendices Message implementation manuals

- Appendix 1 (Dangerous) goods reporting (IFTDGN) — ERINOT
- Appendix 2 Passenger and crew list (PAXLST)
- Appendix 3 ERINOT response and receipt message (APERAK) — ERIRSP
- Appendix 4 Berth management port notification (BERMAN)

## 1. PART I: MESSAGE IMPLEMENTATION MANUAL CONVENTION

### 1.1. Introduction

The technical specifications define the structure of four messages for electronic ship reporting in inland navigation, based on the UN/EDIFACT message structure (see also chapter 1.2) and customised, where required, for the purpose of inland navigation.

In the case that electronic ship reporting in inland navigation is required by national or international law, these technical specifications shall be applied.

The messages are:

1. (Dangerous) goods reporting (IFTDGN) — ERINOT
2. Passenger and crew lists (PAXLST)
3. ERINOT response and receipt message (APERAK) — ERIRSP
4. Berth management port notification (BERMAN)

In the Appendices (message implementation manuals) the exact use of the messages, data elements and codes is defined in order to ensure a common understanding and usage of the messages.

The use of XML technology is another possibility. The standardisation of XML message definition for the purpose of electronic ship reporting in inland navigation is dealt with by the relevant working group supporting the Committee established pursuant to Article 7 of Council Directive 91/672/EEC of 16 December 1991 on the reciprocal recognition of national boatmasters' certificates for the carriage of goods and passenger.

## 1.2. UN/EDIFACT message structure

The following elaborations are based on ISO 9735.

UN/EDIFACT messages are composed of segments. The structure of a message is described in a branching diagram indicating the position and the mutual relationship of the segments and segment groups.

For each segment the data elements are defined which are to be used in a message. Some data elements are combined to form composite data elements. The messages follow a fixed syntax as defined in ISO 9735.

A segment and a data element within a segment are either mandatory or conditional. Mandatory segments and/or data elements contain important data for a receiving application and shall be filled with sensible, in other words valid data. Conditional elements need not to be present in a message.

Each message starts with two or three segments, the 'interchange header' (UNB) and the 'message header' (UNH). Where required also the 'service string advice' (UNA) is used as a first segment to define which character sets are used in the message. Each message finishes with the segments 'message trailer' (UNT) and 'interchange trailer' (UNZ). Thus each message is contained in one interchange, and an interchange contains only one single message.

### 1.2.1. Description of the segments and data elements

In the message descriptions the following indicators are used:

**Column 1** contains the name in form of the acronym (TAG) of the segment group, represented by the hierarchy of segment names on higher levels. This indication is derived from the branching diagram.

**Column 2** contains the name in form of the acronym (TAG) of the segment, the number of the composite data element and the number of the data element.

**Column 3** indicates the level on which the segment is situated in the branching diagram.

**Column 4** indicates whether the segment or data element is mandatory (M) or conditional (C).

**Column 5** defines the format of the data element.

**Column 6** gives the UN/EDIFACT name of the data element. The names of segments are written in bold upper cases, the names of composite data elements are written in normal upper cases and the names of data elements are written in normal lower cases.

**Column 7** gives a description of the data elements (fields). If a fixed value is to be used, the value is indicated in quotes.

## 1.2.2. Syntax

The full description of the data elements in the service segments is part of ISO 7372 Trade Data Elements Directory.

## 1.2.2.1. Character sets

For the characters in the sets below, the 7-bit codes in the basic code table in ISO 646 shall be used, unless the corresponding 8-bit codes in ISO 6937 and ISO 8859 or other bit codes are specifically agreed between the interchanging partners through the usage of the UNA segment.

Level A character set:

Description	Code	Remarks
Letters	upper case A to Z	
Numerals	0 to 9	
Space character		
Full stop	.	
Comma	,	
Hyphen/minus sign	—	
Opening parenthesis	(	
Closing parenthesis	)	
Oblique stroke (slash)	/	
Equals sign	=	
Apostrophe	'	Reserved for use as segment terminator
Plus sign	+	Reserved for use as segment tag and data element separator
Colon	:	Reserved for use as component data element separator
Question mark	?	Reserved for use as release character? immediately preceding one of the characters ' + : ? restores their normal meaning. For example, 10? + 10 = 20 means 10 + 10 = 20. Question mark is represented by ??.

The following characters are also part of the level A character set.

Description	Code
Exclamation mark	!
Quotation mark	"
Percentage sign	%
Ampersand	&
Asterisk	*
Semi-colon	;
Less-than sign	<
Greater-than sign	>

## 1.2.2.2. Interchange structures

The service string advice, UNA, and the service segments UNB to UNZ shall appear in the order stated in an interchange. See chapter 1.2.2.3.

There may be several functional groups within an interchange.

A message consists of segments. The structures for segments and for data elements therein are shown in chapter 1.2.2.5.

#### 1.2.2.3. Interchange

An interchange consists of:

Service String Advice UNA Conditional

----- Interchange Header UNB Mandatory

|----- Message Header UNH Mandatory

|| User Data Segments described in the Annex implementation manual

|----- Message Trailer UNT Mandatory

----- Interchange Trailer UNZ Mandatory

#### 1.2.2.4. Order of segments and groups of segments within a message

Message structure diagrams and the order of the segments following the processing rules can be found in the Appendices.

#### 1.2.2.5. Segment structure

Segment Tag: Mandatory

Segment Code: Mandatory component data element

Component D.E. separator: Conditional

Nesting and repeating indication: Conditional component data element(s)

Data element separator: Mandatory

Simple or composite data elements: Mandatory or Conditional as specified in the relevant segments directory and implementation manual

Segment Terminator: Mandatory

#### 1.2.2.6. Data element structure

Simple Data Element:

Mandatory or Conditional as specified in the relevant implementation guideline.

Composite Data Element:

In accordance with segments directory and as specified in the implementation manual.

Component data elements and Component data element separators:

Mandatory (see restriction below)

Data element separator: Mandatory (see restriction below)

Restriction:

There shall be no component data element separator after the last component data element in a composite data element and no data element separator after the last data element in a segment.

## 1.2.2.7. Compressing

In data elements for which the Data Elements Directory specifies variable length and in the case that there are no other restrictions, insignificant character positions shall be suppressed. In the case of insignificant characters, leading zeroes and trailing spaces shall be suppressed.

However, a single zero before a decimal sign is significant and a zero may be significant (e.g. to indicate a temperature) if so stated in the data elements specification of the implementation manuals.

When compressing messages, the following rules shall be followed.

(a) *Exclusion of segments*

Conditional segments containing no data shall be omitted (including their segment tags).

(b) *Exclusion of data elements by omission*

Data elements are identified by their sequential positions within the segment as stated in the Segment Directory. If a conditional data element is omitted and if it is followed by another data element, its position shall be indicated by retention of its data element separator.

Tag+DE+DE+++DE+DE+DE'

|\_|\_\_\_\_\_ These two data elements are omitted

(c) *Exclusion of data elements by truncation*

If one or more conditional data elements at the end of a segment are omitted, the segment may be truncated by the segment terminator, i.e. contiguous trailing data element separators are not required to be transmitted.

Tag+DE+DE+++DE' Using the example from 2.2.7 b, the last two data elements have been omitted and by '|\_|' the segment has been truncated.

(d) *Exclusion of component data elements by omission*

Component data elements are identified by their given sequential positions within a composite data element. If a conditional component data element is omitted and is followed by another component data element, its given position shall be represented by its component data element separator.

Tag+DE+CE:CE+CE:::CE'

|\_|\_\_\_\_\_ Two component data elements omitted in the last composite data element.

(e) *Exclusion of component data elements by truncation*

One or more conditional component data elements at the end of a composite data element may be excluded by truncation by the data element separator or, if at the end of a segment, by the segment terminator.

Tag+DE+CE+CE' The last component data element in the first composite data element '|\_|' has been omitted and also three component data elements in the last composite data element. In both cases the composite data elements have been truncated, indicated in the first case by the data element separator and in the second case by the segment terminator.

## 1.2.2.8. Representation of numeric data element values

(a) *Decimal sign*

The ISO representation for a decimal sign is the comma (,) but a point on the line (.) is allowed (see ISO 31-0:1981). Both these characters are part of the Level A and B sets. When the service string advice, UNA, is used, its third character specifies the character used in the interchange. It is however strongly recommended to use as a default the (,) to represent a decimal sign under all circumstances. The decimal sign shall not be counted as a character of the value when computing the maximum field length of a data element. However, allowance shall be made for the character in transmission and reception. When a decimal sign is transmitted, there shall be at least one digit before and after the decimal sign. For values represented by integers only, neither a decimal sign nor decimal zeroes are used unless there is a need to indicate the degree of precision.

Preferred: 0,5 and 2 and 2,0 Not allowed: ,5 or .5 or 2, or 2.



(b) *Triad separator*

Triad separators shall not be used in interchange.

Allowed: 2500000 Not allowed: 2,500,000 or 2.500.000 or 2 500 000

(c) *Sign*

Numeric data element values shall be regarded as positive. Although conceptually a deduction is negative, it shall be represented by a positive value and such cases shall be indicated in the data elements directory. If a value is to be indicated as negative, it shall in transmission be immediately preceded by a minus sign, e.g. -112. The minus sign shall not be counted as a character of the value when computing the maximum field length of a data element. However, allowance shall be made for the character in transmission and reception.

Legend:

Ref.

The numeric reference tag for the data element as stated in ISO 7372 UNTDED and, when preceded by S, reference for a composite data element used in service segments.

Name

Name of COMPOSITE DATA ELEMENT in capital letters

Name of DATA ELEMENT in capital letters

Name of Component data element in small letters

Repr.

Data value representation:

a — alphabetic characters

n — numeric characters

an — alphanumeric characters

a3 — 3 alphabetic characters, fixed length

n3 — 3 numeric characters, fixed length

an3 — 3 alphanumeric characters, fixed length

a..3 — up to 3 alphabetic characters

n..3 — up to 3 numeric characters

an..3 — up to 3 alphanumeric characters

M — Mandatory element

C — Conditional element.

When the composite data element is used, a mandatory component data element in a conditional composite data element shall appear.

If in the message implementation manuals a smaller number is used than the ISO standard requires, then this shall be indicated within brackets. The remaining space in a data element shall be filled with space characters.

The usage indicators in the message implementation manuals are as follows:

UNSM Usage	Usage	Indicator in this message implementation manual
Mandatory (M)	Mandatory (M)	mandatory (M)
Conditional (C)	Required (R)	always required (M)
Conditional (C)	Advised (A)	usage of e.g. a certain code set is strongly advised
Conditional (C)	Dependent (D)	usage of the entity depends upon well defined conditions
Conditional (C)	Optional (O)	usage is at the need or discretion of the sender of the message
Conditional (C)	Not Used (X)	not to be used (n. a.)

In the implementation manuals of the messages the usage indicators are used explicitly to ensure a uniform use within electronic ship reporting in inland navigation. Throughout the document reference is made to indicators (M, R, A, D, O and X) which are shown adjacent to data items and which dictate for the message the agreed usage of the entities.

In the following table the indicators and their respective uses are set out:

Status (S) Value	Description	Remark
M	Mandatory	Indicates that this item is mandatory in the standard message.
R	Required	Indicates that this entity shall be sent in this message implementation and use is here mandatory.
A	Advised	Indicates that a recognised international code-set i.e. UN, ISO or ERI code set is highly recommended for use in this implementation over any local codes.
D	Dependent	Indicates that the use of the entity depends upon a well-defined condition or set of conditions. These conditions shall be clearly specified in the relevant implementation guideline.
O	Optional	Indicates that this entity is at the need or discretion of the sender of the message.
X		Not to be used in this message implementation (n. a.).

### 1.3. Messages

#### 1.3.1. ERINOT

The ERI notification message (ERINOT) shall be used for the reporting of voyage related information and of information on dangerous and non-dangerous cargo carried on-board vessels sailing on inland waterways. The ERINOT message is a specific use of the UN/EDIFACT 'International Forwarding and Transport Dangerous Goods Notification (IFTDGN)' message as it has been developed within the PROTECT <sup>(1)</sup> organisation. The ERINOT message is based on the EDIFACT directory 98.B and the PROTECT implementation version 1.0.

For the data and codes contained in the message applications based on these message specifications, use has been made of the UN Directory D98B.

The ERINOT message encompasses the following types:

- transport notification from vessel to authority (identifier 'VES'), from ship to shore;
- transport notification from carrier to authority (identifier 'CAR'), from shore to shore;
- passage notification (identifier 'PAS'), from authority to authority.

The following message functions show what sort of message can be expected:

- new message (identifier '9');
- modification of message (identifier '5');
- cancellation of message (identifier '1').

<sup>(1)</sup> PROTECT: An organisation of a number of European seaports which have developed common implementation guidelines for standard messages. These guidelines form the basis of the implementation manuals in the technical specifications for electronic reporting.

### 1.3.2. PAXLST

The PAXLST message is based on the UN/EDIFACT message PAXLST. It shall be used for the exchange of data in inland navigation between the captain/skipper or carrier and designated authorities such as ISPS terminals, customs, immigration, police.

The message shall be also used to transfer passenger/crew data from a designated authority in the country of departure to the appropriate authorities in the country of arrival of the means of transport.

### 1.3.3. ERIRSP

The ERI response message (ERIRSP) is derived from the UN/EDIFACT APERAK message. It may be generated by for instance a RIS centre. The response messages with respect to the different functions (new, modification or cancellation) of the ERINOT message have all the same structure. The response to a 'modification' or a 'cancellation' contains information whether or not the 'modification' or 'cancellation' has been processed by the receiving system.

### 1.3.4. BERMAN

The Berth Management (BERMAN) message combines the pre-arrival notification respectively general declaration into one single notification which is based on the EDIFACT message BERMAN from the UN/EDIFACT D04B directory. The implementation manual is based on the guidelines as defined by the PROTECT group.

The BERMAN message shall be sent by vessels sailing on inland waterways before arriving at or departing from a berth or a port and provides information about the time of arrival and the services required to ensure a prompt handling, to support procedures and to facilitate controls.

The message incorporates the legal requirements regarding the notification of a ship to a port. It supports one request for the ship — be it for entering the port, berthing on arrival of the ship, leaving the berth on departure of the ship or shifting of berths for the ship within the port or for transiting only through the port area. The arrival and transit notification contains all details regarding the movement of the ship from outside the port area to the first berth in the port area or in case of transit to the point where the vessel is leaving.

Required additional services to be arranged for arrival at a berth can be specified. The estimated time of arrival (ETA) at the entry point and where required leaving point and previous place of call of the ship are required information elements.

## 1.4. **Amendment procedures**

Proposals for amendments to the message implementation manuals shall be sent together with an explanation, why the amendment is needed to the chairperson of the Electronic Reporting expert group.

The chairperson shall distribute the proposal to the members of the expert group as well as to the European Commission.

As regards the expert group, the relevant procedures as defined in the Terms of Reference for the Electronic Reporting expert group shall apply.

The European Commission will proceed with any amendment in accordance with the procedures established in the RIS Directive. In this context, due account shall be taken of the work of the expert group.

## 2. PART II: CODES AND REFERENCES

### 2.1. **Introduction**

In Part II the various codes and references which shall be used in electronic ship reporting for inland navigation are defined. The usage of codes and reference numbers does serve the purpose of unambiguousness. The use of codes and references will lead to less misinterpretations and easy translation into any language. Therefore the usage of codes and references is mandatory for those codes indicated in the messages and included here and strongly recommended whenever other data has to be interchanged between various computer applications and between parties using different languages provided that the relevant data element allows an existing and published code value. In the following, the definitions and descriptions of the used codes and references are described, for the actual code tables a reference will be made towards the relevant chapters of this Annex or where available an URL (Internet address) will be given.

## 2.2. Clarifications

### 2.2.1. Terminology

The following clarifications serve to ensure that the meaning of the used information elements in electronic ship reporting is clear and unambiguous and that through clear descriptions the maintenance of data and references is facilitated and ensured.

#### 1. Data Dictionary

A data dictionary is in essence a centralised storage of information on data such as the meaning, the links with other data, the source, the usage, and the classification. The dictionary is used for the efficient planning, management and evaluation of the collection, recording and usage of data. The data dictionary or lexicon is primary and originally a book containing words arranged in alphabetical order with definitions, etymologies and other information.

#### 2. Data Element Directory

A data element directory is in essence a book with directions listing names and particulars of a specific group of information elements. In information technology it is also a table with identification symbols and pointers to the matching data. The TDED (Trade Data Elements Directory) ISO 7372 has an adopted agreed set of standard data elements for various areas of application. It contains a number, a data element name, a description of the concept to explain the agreed meaning in order to determine the content of the information (data value) to be provided with the data element. A specification of the character representation of the data value, with indication of space (number of characters) is provided, together with the synonyms of data element names where appropriate and used.

#### 3. Data repository

A data repository is in essence a place where things are stored, e.g. a warehouse. Quite often the term data warehouse is used to indicate the place of storage of common data. The data repository is used in the development of XML and ebXML to indicate the place of storage of the so called core components. The first catalogues of core components are available as draft proposals for standards, see also [www.unece.org/cefact/](http://www.unece.org/cefact/). Under ebXML a repository item is associated with a set of standard metadata defined as attributes of the registry object class. These attributes reside outside of the actual repository and provide descriptive information about the repository item.

#### 4. Glossary

A list and explanation of e.g. difficult technical terms, it is often described as a partial dictionary. The terms are often alphabetically listed to be used for reference in projects, books or studies.

#### 5. Vocabulary

A list of words and often phrases, abbreviations etc. usually arranged in alphabetical order and defined or otherwise identified as in a dictionary or glossary.

### 2.2.2. WCO and the H.S.

The World Customs Organisation (WCO) has developed a number of standards and guidelines pertaining to the interchange of data in the area of goods and cargo declarations.

The WCO maintains the Harmonised System (HS) which provides a 6-digit classification system for goods and commodities, the HS is used for classifying goods covering over 5 000 descriptions of the products or groups of products most commonly produced and traded. The structure of this numeric system is such that it provides a legal and logical structure, which puts group's products or categories of products into headings, chapters and into sections.

It can be used by customs but is meant also for statistics, manufacturers, transport, import and export.

The structure is as follows:

XX	Heading
XXXX	Harmonised System
XXXX.XX	HS Code

For additional local use the code can be expanded as follows:

XXXX.XX.XX	Code for Combined Nomenclature
XXXX.XX.XX.XX	Statistics number
XXXX.XXXX.XXX	TARIC code

Moreover there are further local subdivisions of up to 21 positions to indicate e.g. the national tax code.

The Kyoto Convention of the WCO describes in detail the procedures and processes and the information elements for transit and import/export declarations.

### 2.3. Definitions

The following definitions <sup>(1)</sup> are used for the purpose of these technical specifications.

**A traffic organisation service** is a service to prevent the development of dangerous vessel traffic situations by managing traffic movements and to provide for the safe and efficient movement of vessel traffic within the VTS area.

**Agent** means any person mandated or authorised to act for or to supply information on behalf of the operator of the vessel.

**Asynchronous message** means a message that can be delivered by the sender without explicitly having to wait for the processing of the message by the receiver. The receiver decides when to process the message.

**Barge** means a vessel that has no propulsion of its own.

**Code** means a character string used as an abbreviated means of a) recording or identifying information b) to represent or identify information using a specific symbolic form that can be recognised by a computer. [ISO TC154/SC1]

**Competent authority** means the authorities and organisations authorised by the governments to receive and pass on information reported pursuant to this standard.

**Consignee** means the party such as mentioned in the transport document by whom the goods, cargo or containers are to be received.

**Consignor** means the merchant by whom, in whose name or on whose behalf a contract of carriage of goods has been concluded with a carrier or any party by whom, in whose name or on whose behalf the goods are actually delivered to the consignee in relation to the contract of carriage (Synonyms: Shipper, Sender).

**Dangerous goods means <sup>(2)</sup>:**

- goods classified in the UNDG Code,
- goods classified in the ADN/ADNR Code,
- goods classified in the IMDG Code,
- dangerous liquid substances listed in the IBC Code,
- liquefied gases listed in the IGC Code,
- solids referred to in Appendix B of the BC Code,

<sup>(1)</sup> UN/EDIFACT Glossary, edited by UNECE ([www.unece.org/trade/untdid/texts/d300\\_d.htm](http://www.unece.org/trade/untdid/texts/d300_d.htm)); Transport & Logistics Glossary, R&D projects in the framework of the European Framework Programmes for RTD — INDRIS (FP4), COMPRIS (FP5), MARNIS (FP6)

<sup>(2)</sup> Source: Directive 2002/59/EC.

**Data element** means a unit of data which, in a certain context, is considered indivisible and for which the identification, description and value representation has been specified.

**EDI number** means the electronic address of the sender or receiver of a message (e.g. the sender and receiver of the cargo). This may be an E-mail address, an agreed identifier or e.g. a number of the European Article Numbering Association (EAN number).

**Electronic data interchange (EDI)** means the transfer of structured data by agreed standards from applications on the computer of one party to applications on the computer of another party by electronic means.

**Forwarder** means the party arranging the carriage of goods including connecting services and/or associated formalities on behalf of shipper and consignee.

**Implementation guidelines** means a manual describing in detail how a certain standard message will be implemented and which segments, data elements, codes and references will be used and how.

**Location** means any named geographical place, such as a port, an inland freight terminal, an airport, a container freight station, a terminal or any other place where customs clearance and/or regular receipt or delivery of goods can take place, with permanent facilities used for goods movements associated with international trade/transport and used frequently for these purposes. The location should be recognised as such by a competent national body.

**Logistics** means the planning, execution and control of the movement and placement of people and/or goods and of the supporting activities related to such movement and placement within a system organised to achieve specific objectives.

**Manifest** means a document listing the specifications of goods including equipment loaded in a means of transport. A manifest often represents an accumulation of Bills of Lading for official and administrative purposes.

**Means of transport:** represents the type of vehicle used for the transport of goods such as barge, truck, vessel or train.

**Message code:** a unique six character alphabetic reference identifying a message type.

**Mode of transport** means a method of transport used for the conveyance of goods e.g. by rail, by road, by sea, by inland waterways.

**Monitoring** means to follow by means of any of various devices the progress and performance of vessels and to warn the responsible parties of any deviations from the expected, respectively planned performance.

**Multimodal transport** means the carriage of goods (containers) by at least two different modes of transport.

**Nautical support** is support given by tugboats or boatmen to assist in safe navigation and mooring.

**Navigational information** is information provided to the skipper on-board to support in on-board decision making.

**Navigational support** is support given by pilots on-board or in special circumstances on shore (pilotage from shore) to prevent the development of dangerous vessel traffic situations.

**Operator** means the owner or manager of the ship.

**Polluting goods** means <sup>(1)</sup>:

- oils as defined in Annex I to the MARPOL Convention,
- noxious liquid substances as defined in Annex II to the MARPOL Convention,
- harmful substances as defined in Annex III to the MARPOL Convention.

<sup>(1)</sup> Source: Directive 2002/59/EC.

**Procedure** means the steps to be followed in order to comply with a formality, including the timing, format and transmission method for the submission of required information.

**Qualifier** means a data element whose value shall be expressed as a code that gives specific meaning to the function of another data element or a segment. [ISO 9735]

**Radar** means any of several systems or devices using transmitted and reflected radio waves for detecting a reflecting object, such as a vessel and determining its direction, distance, speed and heading. It can be used for navigation and detection.

**Reference number** serves to refer to or mention a relation or where applicable a restriction.

**Risk (Customs)** means the likelihood of an event that may occur in the international movement and trade of goods threatening the Community's security and safety, posing a risk to public health environment and consumers.

**Risk management (Customs)** means the systematic identification and implementation of all measures necessary for limiting exposure of risks. This includes activities such as collecting of data and information, analysing and assessing risk prescribing and taking action and regular monitoring and review of the process and its outcomes, based on international, Community and national sources and strategies.

**Segment (EDI)** means a predefined and identified set of functionally related data elements values which are identified by their sequential positions within the set. A segment starts with a segment tag and ends with a segment terminator. It can be a service segment or a user data segment.

**Segment code** means a code which uniquely identifies each segment as specified in a segment directory. [ISO 9735]

**Shipmaster** means the person on-board of the ship being in command and having the authority to take all decisions pertaining to navigation and ship management. (Synonyms: captain, skipper, boat master).

**Shipper** see consignor.

**Single window** means a facility that allows parties involved in trade and transport to lodge standardised information with a single entry point to fulfil all regulatory requirements. If information is electronic then individual data elements should only be submitted once <sup>(1)</sup>.

**Tag** means a unique identifier for a segment or data element. [ISO 9735]

**Tracing** means the action of retrieving information concerning the whereabouts of cargo, cargo items, consignments or equipment.

**Tracking** means the function of maintaining status information, including current location, of cargo, cargo items, consignments or equipment (containers either full or empty).

**Transport notification** means the announcement of an intended voyage of a ship to a competent authority.

**UN/EDIFACT** means the UN rules for Electronic Data Interchange for Administration, Commerce and Transport. They comprise a set of standards, directories and guidelines for the electronic interchange of structured data, and in particular that related to trade in goods or services between independent computerised information systems. Recommended within the framework of the UN, the rules are approved and published by the UN/ECE in the UN Trade Data Interchange Directory (UNTDID) and are maintained under agreed procedures.

**Vessel (synonym: ship)** means an inland waterway vessel or sea-going ship. In inland navigation, this term includes also small crafts, ferry boats and floating equipment.

(<sup>1</sup>) Source: UNECE recommendation 33.

**Vessel support services** are services given to the skipper by e.g. bunker stations and repair organisation.

**Vessel traffic monitoring** means providing information orally as well as electronically as well as giving directions in interaction with and response to vessels in a traffic flow to optimise the smooth (efficient) and safe transport.

**Vessel traffic services (VTS)** means a service implemented by a competent authority, designed to improve the safety and efficiency of vessel traffic and to protect the environment. The service should have the capability to interact with the traffic and to respond to traffic situations developing in the area.

**VTS area** means the delineated, formally declared service area of the VTS. A VTS area may be subdivided in sub-areas or sectors.

**VTS services** means an information service, but also others, such as a navigational assistance service, or a traffic organisation service, or both.

#### 2.4. **Classifications and code descriptions**

In order to minimise interpreting work to be done by the receivers of messages, classifications and code lists shall be used to the highest possible extent. Existing codes shall be used in order to avoid creating additional work on the assembling and maintenance of new code lists.

The following classifications shall be used in inland ship reporting:

1. Vessel and convoy type (UN Recommendation 28)
2. Official ship number (OFS)
3. IMO ship identification number (IMO) is the Lloyds Register as published for every seagoing vessel number without the letters LR
4. ERI ship identification number
5. ENI European navigation identification (unique European vessel number)
6. Harmonised commodity description and coding system (HS, goods)
7. Combined Nomenclature (CN, goods)
8. Standard goods classification for transport statistics (goods)
9. UN dangerous goods number (UNDG)
10. International maritime dangerous goods code (IMDG)
11. ADN/ADNR
12. UN code for country and nationality
13. UN code for trade and transport locations (UNLOCODE)
14. Fairway section code



15. Terminal code
16. Freight container size and type code
17. Container identification code
18. Package type code
19. Handling instructions
20. Purpose of call
21. Nature of cargo

In the following, details and remarks on the application of these codes in inland navigation and user guidelines are given. The vessel and convoy type codes are depicted in various languages in the code tables. The combination of the elements of the above named codes 12 to 15 is defined in Chapter 2.7.

#### 2.4.1. *Updating of codes and reference tables*

The need to maintain uniform codes and references and the strong requirement to keep the various tables stable and uniform, requires stringent procedures and processes for the maintenance, publication and usage of the various codes.

To facilitate the maintenance of all codes and reference tables used in electronic reporting messages, the codes and references are divided into six categories.

##### Category A

International codes and references maintained by an official organisation and used in a singular fashion. New or change codes will be published by the international organisation which also indicates at which time the new codes shall be implemented. The implementation of changes to the tables is coordinated by this organisation however for the reporting under the electronic ship reporting specifications, the ERI Expert Group shall indicate as from when the codes are to be used in the messages. Examples are the UNDG <sup>(1)</sup> IMDG <sup>(2)</sup> ADN/ADNR/D <sup>(3)</sup> and the HS/TARIC <sup>(4)</sup> codes.

##### Category B

International codes and references maintained by an recognised international organisation such as ISO or UNECE; the publication of changes to the tables takes place at regular intervals as a result of user requirements, the changes are coordinated by the user communities. Examples are the UN/LOCODES <sup>(5)</sup>, the type of means of transport, transport mode, country and currency codes, freight costs and charges.

##### Category C

Business related codes and references maintained by a private respectively public-private organisation such as EAN, Lloyds, Protect. Examples are IMO numbers, EAN address codes.

##### Category D

Regional codes and references maintained by a public organisation for usage in a certain area. Examples are fairway section codes, ECDIS references.

##### Category E

National codes and references maintained by a public, respectively public private partnership. Examples are NST/R.

<sup>(1)</sup> Changes to the codes are agreed and published through the UN every two years.

<sup>(2)</sup> Changes to the codes are published through the IMO every two years.

<sup>(3)</sup> Changes to the codes are agreed and published every two years through the respective responsible organisations.

<sup>(4)</sup> Changes to the full code set are published by the WCO every four years, the subset is adapted based on the Change Requests through the ERI group of experts.

<sup>(5)</sup> Implementation of new or changed codes to be co-ordinated by the ERI Expert Group.

### Category F

Standard codes and references used in the reporting and which are part of the standard message and described in the message as such. Changes should be coordinated by the controlling bodies. Examples are qualifiers, syntax codes, identifiers, function codes.

The international codes and references mentioned under Category A are generally originating from the shipper of the goods. The codes are to be supplied obligatory in accordance with the respective legal requirements and rules and regulations to enable and facilitate control by the competent authorities and emergency measures.

For all the other categories a subset consisting of the codes and references used in electronic reporting and other messages for inland waterway transport is often maintained by the controlling agency. In this way the harmonised use and implementation of new and changed entries to these code tables can be executed in a coordinated way.

The controlling agency of the various messages can be found under UNH data element 0051 or in the message implementation manuals themselves or in the respective code tables as mentioned underneath.

#### 2.4.2. Descriptions of the code tables

##### 2.4.2.1. Vessel and Convoy Type

FULL TITLE	Codes for types of means of transport Annex 2, chapter 2.5: Inland water transport
ABBREVIATION	UN Recommendation 28
ORIGINATING AUTHORITY	UNECE/CEFACT <a href="http://www.unece.org/cefact">http://www.unece.org/cefact</a>
LEGAL BASIS	UN Recommendation 28, ECE/Trade/276; 2001/23
CURRENT STATUS	Operational
IMPLEMENTATION DATE	March 2001
AMENDMENT	UN/CEFACT 2002
STRUCTURE	4-digit alphanumeric code: 1 digit: '1' for maritime navigation, '8' for 'inland navigation' 2 digits for vessel or convoy 1 digit for subdivision as defined in chapter 6
SUCCINCT DESCRIPTION	This recommendation establishes a common code list for the identification of the type of means of transport. It has a particular relevance to transport organisations and providers, Customs and other authorities, statistical offices, forwarders, shippers, consignees and other parties concerned with transport.
LINKED CLASSIFICATIONS	UN Recommendation No. 19
MEDIA THROUGH WHICH AVAILABLE	<a href="http://www.unece.org/cefact/recommendations/rec_index.htm">http://www.unece.org/cefact/recommendations/rec_index.htm</a> <a href="http://www.RISexpertgroups.org">http://www.RISexpertgroups.org</a>
LANGUAGES	English
ADDRESS OF RESPONSIBLE AGENCY	EC
REMARKS	The main set of code values is governed by an international body (UNECE). To ensure harmonisation, one single set of code values representing also additional vessel types can be used by all RIS applications.

#### Example

8010	Motor freighter (Inland)
1500	General cargo vessel (sea)

#### Usage in the implementation manuals

TDT/C228/8179 (convoy)
EQD(B)/C224/8155 (vessel)

#### Annexes

UNECE Recommendation No. 28: Codes for types of means of transport, Inland Navigation code list description in various languages as nationally required

## 2.4.2.2. Official ship number (OFS)

FULL TITLE	Official ship number
ABBREVIATION	OFS
ORIGINATING AUTHORITY	Central Commission for the Navigation of the Rhine (CCNR)
LEGAL BASIS	§ 2.18 Rheinschiffsuntersuchungsordnung
CURRENT STATUS	Operational
IMPLEMENTATION DATE-	----
AMENDMENT-	----
STRUCTURE	2-digit country code (an) 5 digit register no. (an) Country codes: 01 - 19 France 20 - 39 The Netherlands 40 - 49 Germany 60 - 69 Belgium 70 - 79 Switzerland 80 - 99 Other countries
SUCCINCT DESCRIPTION-	----
LINKED CLASSIFICATIONS-	----
USAGE	Inland navigation
MEDIA THROUGH WHICH AVAILABLE	----
LANGUAGES-	----
ADDRESS OF RESPONSIBLE AGENCY	Central Commission for the Navigation of the Rhine, 2, Place de la Republique, 67082 Strasbourg Cedex, FRANCE
REMARKS	This code is replaced by the European Vessel Identification Number as defined in the Rheinschiffsuntersuchungsordnung and Article 2.18 of Annex II to Directive 2006/87/EC <sup>(1)</sup> .

<sup>(1)</sup> Directive of the European Parliament and the Council of 12 December 2006 laying down technical requirements for inland waterway vessels and repealing Council Directive 82/714/EEC (OJ L 389, 30.12.2006, p. 1).

**Example**

4112345                      Germany, Gerda

**Usage in the implementation manuals**

TDT/C222/8213  
EQD(1)/C237/8260  
SGP/C237/8260

## 2.4.2.3. IMO ship identification number

FULL TITLE	IMO ship identification number
ABBREVIATION	IMO No
ORIGINATING AUTHORITY	International Maritime Organisation/Lloyds
LEGAL BASIS	IMO Resolution A.600(15), SOLAS chapter XI, regulation 3
CURRENT STATUS	Operational
IMPLEMENTATION DATE-	----
AMENDMENT	Updated daily

STRUCTURE	Lloyd's Register of Shipping (LR) number (seven digits).
SUCCINCT DESCRIPTION	The IMO Resolution aims at assigning a permanent number to each ship for identifying purposes.
LINKED CLASSIFICATIONS-	----
USAGE	For seagoing ships
MEDIA THROUGH WHICH AVAILABLE	www.ships-register.com.
LANGUAGES	English
ADDRESS OF RESPONSIBLE AGENCY	International Maritime Organisation 4 Albert Embankment London SE1 7SR United Kingdom

**Example**

Vessel dwt 2774                      Danchem East 9031624

**Usage in the implementation manuals**

TDT/C222/8213  
EQD(1)/C237/8260  
SGP/C237/8260

## 2.4.2.4. Electronic reporting number (for ship identification) ERN

FULL TITLE	Electronic reporting number (for ship identification)
ABBREVIATION	ERN
ORIGINATING AUTHORITY	Rijkswaterstaat, the Netherlands
LEGAL BASIS-	----
CURRENT STATUS	Operational
IMPLEMENTATION DATE-	----
LIMIT OF OPERATIONAL LIFE-	----
AMENDMENT-	----
STRUCTURE	8-digit number
SUCCINCT DESCRIPTION-	----
LINKED CLASSIFICATIONS-	----
USAGE	In electronic reporting for ships which do not have an OFS nor an IMO number
MEDIA THROUGH WHICH AVAILABLE	www.risexpertgroups.org
LANGUAGES	
ADDRESS OF RESPONSIBLE AGENCY	ERI-helpdesk@risexpertgroups.org
REMARK	This code will be replaced by the European vessel identification number as defined in Article 2.18 of Annex II to Directive 2006/87/EC.

**Example**

12345678                      Renate

**Usage in the implementation guides**

TDT/C222/8213  
EQD(1)/C237/8260  
SGP/C237/8260

## 2.4.2.5. Unique European vessel identification number

FULL TITLE	Unique European vessel identification number
ABBREVIATION	ENI
ORIGINATING AUTHORITY	European Union
LEGAL BASIS	Directive 2006/87/EC; Directive 2005/44/EC
CURRENT STATUS-	----
IMPLEMENTATION DATE-	----
LIMIT OF OPERATIONAL LIFE-	----
AMENDMENT	Continuously
STRUCTURE	8-digit-number
SUCCINCT DESCRIPTION	The unique European navigation identification or the unique European vessel identification number aims at assigning a permanent number to each hull for identifying purposes.
LINKED CLASSIFICATIONS	IMO number, ERN number, OFS number
USAGE	In electronic ship reporting, tracking and tracing and certification of vessels for inland vessels.
MEDIA THROUGH WHICH AVAILABLE	(a) Competent authorities shall keep a register. Access will be granted to competent authorities of other Member States. (b) European vessel number database (c) Contracting States of the Mannheim Convention and to other parties based on administrative agreements.
LANGUAGES-	----
ADDRESS OF RESPONSIBLE AGENCY	EU Member States and the contract parties to the Mannheim Convention
REMARK	The unique European vessel identification number ENI consists of eight Arabic numerals. The first three digits are the code of the assigning competent authority. The next five digits are a serial number. See also Chapter 2.5.

**Example**

12345678

**Usage in the implementation manuals**

TDT, EQD (V1 and V2-V15)  
CNI/GID and  
CNI/GID/DGS, Tag 1311

## 2.4.2.6. Harmonised system code (HS)

FULL TITLE	Harmonised commodity description and coding system
ABBREVIATION	HS; Harmonised System
ORIGINATING AUTHORITY	World Customs Organisation
LEGAL BASIS	International Convention on the Harmonised Commodity Description and Coding System
CURRENT STATUS	Operational
IMPLEMENTATION DATE	1-1-2007
AMENDMENT	In principle revised every five years.

STRUCTURE	7 466 headings, organised in four hierarchical levels  Level 1: sections coded by Roman numerals (I to XXI)  Level 2 chapters identified by two-digit numerical codes  Level 3: headings identified by four-digit numerical codes  Level 4: subheadings identified by six-digit numerical code
SUCCINCT DESCRIPTION	HS convention is a classification of goods by criteria based on raw material and the stage of production of commodities. HS is the heart of the whole process of harmonisation of international economic classifications being jointly conducted by the United Nations Statistics Division and Eurostat. Its items and sub-items are the fundamental terms on which industrial goods are identified in product classifications. Objectives: to harmonise (a) external trade classifications to guarantee direct correspondence; and (b) countries external trade statistics and to guarantee that these are comparable internationally.
LINKED CLASSIFICATIONS	Combined Nomenclature (CN): full agreement on six-digit-level;  NST/R on 3-digit level.
USAGE	Products
MEDIA THROUGH WHICH AVAILABLE	World Customs Organisation Rue de l'Industrie, 26-39 1040 Brussels, BELGIUM www.wcoomd.org Customs Cooperation Council, Brussels
LANGUAGES	Dutch, English, French, German etc.
ADDRESS OF RESPONSIBLE AGENCY	A subset of the codes used for electronic reporting will be maintained through the ERI expert group.
REMARKS	The HS classification is further disaggregated at European Union level into a classification called Combined Nomenclature (CN)

**Example**

730110	Sheet piling of iron or steel
310210	Mineral or chemical fertilisers, ammonium sulphate

**Usage in the implementation manuals**

CNI/GID/FTX(1)/C108/4440  
  
CNI/GID/FTX(2)/C108/4440

## 2.4.2.7. Combined Nomenclature (CN)

FULL TITLE	Combined Nomenclature
ABBREVIATION	CN
ORIGINATING AUTHORITY	EU Commission, Statistical Office EUROSTAT
LEGAL BASIS	EU Council, Regulation (EEC) No 2658/87 of 23 July 1987
CURRENT STATUS	Operational
IMPLEMENTATION DATE-	----

AMENDMENT	Annual revisions at 1 January
STRUCTURE	8-digit numerical code:  19 581 headings organised in five hierarchical levels:  Level 1: sections coded by Roman numerals (I to XXI)  Level 2 chapters identified by two-digit numerical codes  Level 3: headings identified by four-digit numerical codes  Level 4: subheadings identified by six-digit numerical code  Level 5: categories identified by eight-digit numerical codes
SUCCINCT DESCRIPTION	The Combined Nomenclature is the goods classification used within the EU for the purposes of foreign trade statistics. It is also used by the EU for customs duty purposes. The classification is based on the Harmonised System (HS) which it sub-divides where necessary for purposes of external trade, agricultural regulation and customs duties. The CN was introduced in 1988 together with the HS.
LINKED CLASSIFICATIONS	HS code: full agreement on six-digit-level NST/R on 3-digit level
USAGE	Products
MEDIA THROUGH WHICH AVAILABLE	<a href="http://ec.europa.eu/taxation_customs">http://ec.europa.eu/taxation_customs</a>
LANGUAGES	all languages of the EU
ADDRESS OF RESPONSIBLE AGENCY	European Commission, DG TAXUD
REMARKS-	----

**Usage in the implementation manuals**

Indirectly through HS code

2.4.2.8. Standard goods classification for transport statistics/revised (NST) 2000

FULL TITLE	Nomenclature uniforme de marchandises pour les statistiques de transport/Standard goods classification for transport statistics/revised
ABBREVIATION	NST 2000
ORIGINATING AUTHORITY	European Commission (Statistical Office/Eurostat)
LEGAL BASIS	EU regulation on statistics
CURRENT STATUS-	----
IMPLEMENTATION DATE	1.1.2007
AMENDMENT	Regularly every two years
STRUCTURE	2 digit NST 2000 Level 1: a 2-digit CPA subdivision
SUCCINCT DESCRIPTION	HS Code in one way (HS > NST), Commodity Classification for Transport Statistics in Europe (CSTE)
LINKED CLASSIFICATIONS	Products HS Code in one way (HS > NST)
USAGE	Products

MEDIA THROUGH WHICH AVAILABLE	<a href="http://ec.europa.eu/comm/eurostat/ramon/nomenclatures/index.cfm?TargetUrl=LST_NOM_DTL&amp;StrNom=NSTR_1967&amp;StrLanguageCode=EN&amp;IntPcKey">http://ec.europa.eu/comm/eurostat/ramon/nomenclatures/index.cfm?TargetUrl=LST_NOM_DTL&amp;StrNom=NSTR_1967&amp;StrLanguageCode=EN&amp;IntPcKey</a>
LANGUAGES	Dutch, English, French, German etc.
ADDRESS OF RESPONSIBLE AGENCY	Statistical Office of the European Communities Eurostat) Unit C2 Batiment BECH A3/112 2920 Luxembourg, LUXEMBOURG
REMARKS-	----

(a) *Standard goods classification for transport statistics/ revised (NST/R)*

FULL TITLE	Nomenclature uniforme de marchandises pour les statistiques de transport/Standard goods classification for transport statistics/revised
ABBREVIATION	NST/R
ORIGINATING AUTHORITY	European Commission (Statistical Office/Eurostat)
LEGAL BASIS-	----
CURRENT STATUS	Operational, but presently under revision
IMPLEMENTATION DATE	1.1.1967
AMENDMENT	Regularly every two years
STRUCTURE	3-digit numerical code. Level 1: 10 chapters, identified by one-digit numerical codes (0 to 9) Level 2: 52 groups identified by two-digit numerical codes Level 3: 176 headings identified by three-digit numerical codes
SUCCINCT DESCRIPTION	The NST/R was devised by Eurostat for the harmonisation of statistics on national and international transport in the Member States of the European Communities
LINKED CLASSIFICATIONS	Commodity Classification for Transport Statistics in Europe (CSTE), HS code in one way (HS > NST/R)
USAGE	Products
MEDIA THROUGH WHICH AVAILABLE	<a href="http://ec.europa.eu/comm/eurostat/ramon/nomenclatures/index.cfm?TargetUrl=LST_NOM_DTL&amp;StrNom=NSTR_1967&amp;StrLanguageCode=EN&amp;IntPcKey=">http://ec.europa.eu/comm/eurostat/ramon/nomenclatures/index.cfm?TargetUrl=LST_NOM_DTL&amp;StrNom=NSTR_1967&amp;StrLanguageCode=EN&amp;IntPcKey=</a>
LANGUAGES	Dutch, English, French, German etc.
ADDRESS OF RESPONSIBLE AGENCY	Statistical Office of the European Communities (Eurostat) Unit C2 Batiment BECH A3/112 2920 Luxembourg, LUXEMBOURG
REMARKS-	----

**Example**

729	Composite and other manufactured fertilisers
321	Motor spirit

**Usage in the implementation manuals**

CNI/GID/FTX(2)/C108/4440



(b) *Standard goods classification for transport statistics/revised — the Netherlands (NST/R NL)*

FULL TITLE	Standard goods classification for transport statistics/revised — the Netherlands
ABBREVIATION	NST/R-NL
ORIGINATING AUTHORITY-	----
LEGAL BASIS-	----
CURRENT STATUS	Operational
IMPLEMENTATION DATE-	----
AMENDMENT	Regularly every two years
STRUCTURE	4-digit numerical code
SUCCINCT DESCRIPTION	The NST/R-NL is based on the 3-digit NST/R classification of Eurostat
LINKED CLASSIFICATIONS	NST/R, HS Code in one way (HS > NST/R)
USAGE	Statistics
MEDIA THROUGH WHICH AVAILABLE	----
LANGUAGES	Dutch
ADDRESS OF RESPONSIBLE AGENCY	----
REMARKS	On level 4 not compatible with NST/R-FR and NST/R-DE

**Example**

7290	Mengmeststoffen en andere gefabriceerde meststoffen
3210	Benzine

**Usage in the implementation manuals**

CNI/GID/FTX(2)/C108/4440

(c) *Standard goods classification for transport statistics/revised — France (NST/R FR)*

FULL TITLE	Nomenclature uniforme de marchandises pour les statistiques de transport
ABBREVIATION	NST/R-FR
ORIGINATING AUTHORITY-	----
LEGAL BASIS-	----
CURRENT STATUS	Operational
IMPLEMENTATION DATE-	----
AMENDMENT	Regularly every two years
STRUCTURE	4-digit numerical code
SUCCINCT DESCRIPTION	The NST/R-FR is based on the 3-digit NST/R classification of Eurostat
LINKED CLASSIFICATIONS	NST/R, HS Code in one way (HS > NST/R)
USAGE	Waterway charges invoicing, statistics
MEDIA THROUGH WHICH AVAILABLE	----
LANGUAGES	French
ADDRESS OF RESPONSIBLE AGENCY	----
REMARKS	On level 4 not compatible with NST/R-NL and NST/R-DE

**Example**

7291	Engrais composés et autres engrais manufacturés
3210	Essence de pétrole

**Usage in the implementation guidelines**

CNI/GID/FTX(2)/C108/4440

(d) *Standard goods classification for transport statistics/ revised — Germany (NST/R DE)*

FULL TITLE	Güterverzeichnis für den Verkehr auf deutschen Binnenwasserstraßen
ABBREVIATION	GV-Binnenwasserstraßen; NST/R-DE
ORIGINATING AUTHORITY	Wasser- und Schifffahrtsdirektion West, Münster
LEGAL BASIS	By order of the Ministry of Transport, Germany
CURRENT STATUS	Operational
IMPLEMENTATION DATE	1.1.1986
AMENDMENT	Regularly every two years
STRUCTURE	4-digit numerical code Level 1: 10 chapters, identified by one-digit numerical code (0 to 9) Level 2: 52 groups identified by two-digit numerical codes Level 3: 176 headings identified by three-digit numerical codes Level 4: 1-digit amendment specific for invoicing and statistics
SUCCINCT DESCRIPTION	The 'GV-Binnenwasserstraßen' is based on the 3-digit NST/R classification of Eurostat and the 'Güterverzeichnis 1969' of the Statistisches Bundesamt
LINKED CLASSIFICATIONS	NST/R, HS Code in one way (HS > NST/R) Güterverzeichnis für die Verkehrsstatistik (GV)
USAGE	Waterway charges invoicing, Statistics
MEDIA THROUGH WHICH AVAILABLE	WSD West, Münster
LANGUAGES	German
ADDRESS OF RESPONSIBLE AGENCY	See above
REMARKS	On level 4 not compatible with NST/R-FR and NST/R-NL

**Example**

7290	Mineralische Mehrstoffnährdünger
3210	Benzin

**Usage in the implementation manuals**

CNI/GID/FTX(2)/C108/4440

## 2.4.2.9. UN dangerous goods number (UNDG)

FULL TITLE	UN Recommendations on the transport of dangerous goods Annex 'Model Regulations' Part 3 'Dangerous Goods List' Appendix A 'List of generic and NOS proper shipping names'
ABBREVIATION	UN Model Regulations; UNDG
ORIGINATING AUTHORITY	UNECE
LEGAL BASIS-	----
CURRENT STATUS	Operational
IMPLEMENTATION DATE	As of 1956, the model regulations 1996
AMENDMENT	
STRUCTURE	4 digit numerical code
SUCCINCT DESCRIPTION	The UN recommendations on the transport of dangerous goods address the following main areas: — List of dangerous goods most commonly carried and their identification and classification; — Consignment procedures; — Standards for packaging, test procedures and certification — Standards for multi-modal tank-containers, test procedures and certification

LINKED CLASSIFICATIONS	IMDG code
USAGE	Transport of dangerous goods
MEDIA THROUGH WHICH AVAILABLE	<a href="http://www.unece.org/trans/danger/publi/unrec/">http://www.unece.org/trans/danger/publi/unrec/</a>
LANGUAGES	English
ADDRESS OF RESPONSIBLE AGENCY	Transport Division United Nations Economic Commission for Europe Palais des nations CH-1211 Geneve 10 <a href="http://www.unece.org">www.unece.org</a>
REMARKS	In this standard only the 4-digit UN number is used (not class and division)

**Example**

1967 Gas sample, non-pressurised, toxic

**Usage in the implementation manuals**

CNI/GID/DGS/C234/7124

## 2.4.2.10. International maritime dangerous goods code (IMDG)

FULL TITLE	International maritime dangerous goods code
ABBREVIATION	IMDG code
ORIGINATING AUTHORITY	International Maritime Organisation IMO
LEGAL BASIS-	----
CURRENT STATUS	Operational
IMPLEMENTATION DATE	18 May 1965
AMENDMENT	1.1.2001 (30th amendment) approximately every 2 years
STRUCTURE	2-digit numerical code: 1-digit numerical for class 1-digit numerical for division
SUCCINCT DESCRIPTION	The IMDG code governs the vast majority of shipments of hazardous material by water. The code is recommended to governments for adoption as the basis for national regulations in conjunction with the SOLAS convention.
LINKED CLASSIFICATIONS	The code is based on the UN Recommendations on the transport of dangerous goods (UNDG)
USAGE	Maritime transport of dangerous and harmful goods
MEDIA THROUGH WHICH AVAILABLE	<a href="http://www.imo.org">www.imo.org</a>
LANGUAGES	Dutch, English, French, German
ADDRESS OF RESPONSIBLE AGENCY	International Maritime Organisation 4 Albert Embankment London SE1 7SR UNITED KINGDOM
REMARKS	For inland shipping the IMO code can be used as this code is often already known, where necessary an ADN/R code corresponding with the IMDG code should be inserted

**Example**

32 Flammable liquid, not otherwise specified (Ethanol)

**Usage in the implementation manuals**

CNI/GID/DGS/C205/8351

## 2.4.2.11. ADN/R/D

FULL TITLE	Accord européen relatif au transport international des marchandises dangereuses par voie de navigation intérieure (du Rhin, du Danube)
ABBREVIATION	ADN/R/D
ORIGINATING AUTHORITY	Central Commission for the Navigation on the Rhine Commission du Danube UN Economic Commission for Europe
LEGAL BASIS-	----
CURRENT STATUS	Operational
IMPLEMENTATION DATE	Operational
AMENDMENT	Regularly every two years as indicated
STRUCTURE	For goods on dry cargo vessel: – UN number – Name of the substance (acc. to table A of part 3 of ADNR) – Class – Danger classification code – Packing group – Hazard Identification placard (label) For goods on tank vessels – UN number – Name of substance (acc. to table C of part 3 of ADNR) – Class – Packing group
SUCCINCT DESCRIPTION	The ADN, the European Agreement concerning the international carriage of dangerous goods by inland waterways which will replace the various regional agreements.
LINKED CLASSIFICATIONS	ADN, ADR
USAGE	Transport of dangerous goods in inland navigation
MEDIA THROUGH WHICH AVAILABLE	<a href="http://www.ccr-zkr.org">www.ccr-zkr.org</a> <a href="http://www.danubecom-intern.org">www.danubecom-intern.org</a> <a href="http://www.unece.org/trans/danger/publi/adn/adn_treaty.html">http://www.unece.org/trans/danger/publi/adn/adn_treaty.html</a>
LANGUAGES	Dutch, French, German
ADDRESS OF RESPONSIBLE AGENCY	Central Commission for the Navigation on the Rhine, 2, Place de la République, 67082 Strasbourg Cedex, FRANCE UN Economic Commission for Europe, Palais des Nations, CH-1211 Geneva 10, SWITZERLAND
REMARKS	The provisions of the ADN agreement, the European Agreement concerning the international carriage of dangerous goods by inland waterways (ADN) are applicable on the Rhine (ADNR) and on the Danube (ADND). The 2007 edition of ADR/RID/ADN is harmonised with the 14th revised edition of the UN Model Regulations and has entered into force on 1 January 2007.

**Example**

for dry cargo vessel:  
1203; petrol; 3; F1; III; 3

for tank vessel:  
1203; petrol; 3;;III;

**Usage in the implementation manuals**

CNI/GID/DGS/C205/8078

## 2.4.2.12. UN country code

FULL TITLE	International standard codes for the representation of the names of countries
ABBREVIATION	ISO 3166-1
ORIGINATING AUTHORITY	International Organisation for Standardisation (ISO)
LEGAL BASIS	UN Recommendation 3 (codes for the representation of the names of countries)
CURRENT STATUS	Operational
IMPLEMENTATION DATE	1974
AMENDMENT	As per ISO 3166-1
STRUCTURE	Two-letter-alpha code (to be used in principle) Three-digit numeric code (alternatively)
SUCCINCT DESCRIPTION	ISO provides a unique two-letter code for each country listed, as well as a three-digit numeric code which is intended as an alternative for all applications that need to be independent of the alphabet.
LINKED CLASSIFICATIONS	UN/LOCODE
USAGE	This code is used as one element in the combined location code of this standard
MEDIA THROUGH WHICH AVAILABLE	UNECE <a href="http://www.unece.org/locode">www.unece.org/locode</a>
LANGUAGES	English
ADDRESS OF RESPONSIBLE AGENCY	<a href="http://www.unece.org/cefact">http://www.unece.org/cefact</a>
REMARKS	See Chapter 2.7 for the combination of the alpha country code with the location code

**Example**

BE Belgium

**Usage in the implementation manuals**

ERINOT Message:

TDT/C222/8453

NAD(1)/3207

NAD(2)/3207

ERIRSP Message

NAD(1)/3207

## 2.4.2.13. UN location code — UN/LOCODE

FULL TITLE	UN code for trade and transport locations
ABBREVIATION	UN/LOCODE
ORIGINATING AUTHORITY	UNECE/CEFACT
LEGAL BASIS	UN/ECE Recommendation 16
CURRENT STATUS	Operational
IMPLEMENTATION DATE	1980
AMENDMENT	2006-2
STRUCTURE	ISO 3166-1 country code (alpha 2-digit) followed by a space and a 3-digit-alpha code for the place names (5 digits) Place name (a ...29) Subdivision ISO 3166-2, optional (a ..3) Function, mandatory (an5) Remarks, optional (an ..45) Geographical coordinates (000N 0000 W, 000 S 00000 E)

SUCCINCT DESCRIPTION	UN recommends a five-letter alphabetic code for abbreviating the names of locations of interest to international trade, such as ports, airports, inland freight terminals, and other locations where customs clearance of goods can take place, and whose names need to be represented unambiguously in data interchange between participants in international trade.
LINKED CLASSIFICATIONS	UN country code
USAGE	This code is used as one element in the combined location code of this standard.
MEDIA THROUGH WHICH AVAILABLE	www.unece.org/locode
LANGUAGES	English
ADDRESS OF RESPONSIBLE AGENCY	UNECE
REMARKS	See Chapter 2.7 for combination of elements in the location code

**Example**

BEBRU Belgium Brussels

**Usage in the implementation manuals**

TDT/LOC (1..9)/C517/3225

CNI/LOC(1..2) /C517/3225

**See:**

This document and implementation manuals 'Definition of the revised location and terminal code' by Ministry of Transport and Public Works  
Traffic and Transport Advisory Service  
May 2002

## 2.4.2.14. Fairway section code

FULL TITLE	Fairway section code
ABBREVIATION	
ORIGINATING AUTHORITY	National administrations of waterways
LEGAL BASIS-	----
CURRENT STATUS	operational
IMPLEMENTATION DATE-	----
AMENDMENT-	----
STRUCTURE	5-digit numerical code
SUCCINCT DESCRIPTION	The waterway network is divided into sections. These may be whole rivers and canals over several 100 km or small sections. The position of a location inside a section may be given by hectometre or by the name (code) of a terminal or passage point.
LINKED CLASSIFICATIONS	UNLOCODE
USAGE	Numbering of the waterways in a national network. This code is used as one element in the combined location code of this standard.
MEDIA THROUGH WHICH AVAILABLE	----
LANGUAGES-	----
ADDRESS OF RESPONSIBLE AGENCY	National administrations of waterways. Coordination through the ERI expert group.
REMARKS	See Chapter 2.7 for combination of elements in the location code

**Example**

03937 Rhein, Rüdeshheimer Fahrwasser  
02552 Oude Maas at Dordrecht

**Usage in the implementation manuals**

TDT/LOC/C517/3225  
CNI/LOC/C517/3225

**See:**

See this document and implementation manuals  
Definition of the revised location and terminal code

**Remark 1:**

If there is no fairway code available, the field should be filled in with zeros

**Remark 2:**

See Chapter 2.7 for combination of elements in the location code

## 2.4.2.15. Terminal code

FULL TITLE	Terminal code
ABBREVIATION FROM-	----
ORIGINATING FROM	National waterway authorities
LEGAL BASIS-	----
CURRENT STATUS	Version 2, April 2000
IMPLEMENTATION DATE-	----
AMENDMENT	Regularly
STRUCTURE	Type of terminal (1-digit numeric) number of terminal (5-digit alphanumeric)
SUCCINCT DESCRIPTION	A further specification of the location of a terminal within the location of the port in the country
LINKED CLASSIFICATIONS	UNLOCODE
USAGE	This code is used as one element in the combined location code of this standard. See Chapter 2.7 for combination of elements in the location code and rules for maintenance of the respective code sets
MEDIA THROUGH WHICH AVAILABLE	www.risexpertgroups.org
LANGUAGES-	----
ADDRESS OF RESPONSIBLE AGENCY	National administrations of waterways. Coordination through the ERI expert group.
REMARKS	It is of the utmost importance that maintenance of the codes is done in such way that maximum stability and consistency is achieved to ensure that no changes are necessary apart from additions and deletions. See Chapter 2.7 for combination of elements in the location code

**Example**

LEUVE Leuvehaven at Rotterdam, NL

**Usage in the implementation guidelines**

TDT/LOC/C517/3225  
CNI/LOC/C517/3225

**See:**

Implementation manuals and this document  
Definition of the revised location and terminal code

**Remark 1:**

If there is no terminal code available, the field should be filled in with zeros

**Remark 2:**

Each country will be responsible for its own data. Coordination and central distribution will be made by Rijkswaterstaat of the Netherlands

**Remark 3:**

At present, a terminal code is maintained by Bureau Telematica for Rijkswaterstaat

## 2.4.2.16. Freight container size and type code

FULL TITLE	Freight containers — coding, identification and marking
ABBREVIATION-	----
ORIGINATING AUTHORITY	International Organisation for Standardisation (ISO)
LEGAL BASIS	ISO 6346, chapter 4 and annexes D and E
CURRENT STATUS	Operational
IMPLEMENTATION DATE-	----
AMENDMENT	3rd edition 1995-12-01
STRUCTURE	Container size; two alphanumeric characters(first for length, second for combination of height and width)
	Container type: two alphanumeric characters
SUCCINCT DESCRIPTION	Size and type codes established for each sort of containers
LINKED CLASSIFICATIONS	ISO 6346 coding identification and marking
USAGE	Whenever known and indicated in the commercial exchange of information
MEDIA THROUGH WHICH AVAILABLE	<a href="http://www.iso.ch/iso/en">www.iso.ch/iso/en</a>
LANGUAGES	English
ADDRESS OF RESPONSIBLE AGENCY	<a href="http://www.bic-code.org/">http://www.bic-code.org/</a>
REMARKS	The size type codes are displayed on the containers and as such shall be used in the electronic reporting whenever available from other exchanged information e.g. during the booking. Size Type codes shall be used as a whole i.e. the information shall not be broken into its component parts (ISO 6346:1995)

**Example for size**

42 Length: 40 ft.; height: 8 ft. 6 in.; width: 8 ft.

**Example for type**

**GP** general purpose container

**BU** Dry bulk container

**Usage in the implementation manuals**

Where appropriate EQD segment

## 2.4.2.17. Container identification code

FULL TITLE	Freight containers — coding, identification and marking
ABBREVIATION	ISO size type codes
ORIGINATING AUTHORITY	International Organisation for Standardisation
LEGAL BASIS	ISO 6346, chapter 3, Annex A
CURRENT STATUS	Implemented throughout the world on all freight containers
IMPLEMENTATION DATE	1995
AMENDMENT-	----
STRUCTURE	Owner code: Three letters
	Equipment category identifier: one letter
	Serial number: six numerals
	Check digit: one numeral



SUCCINCT DESCRIPTION	The identification system is intended for general application, for example in documentation, control and communications (including automatic data processing systems), as well as for display on the containers themselves
LINKED CLASSIFICATIONS	ISO 668, ISO 1496, ISO 8323
USAGE-	----
MEDIA THROUGH WHICH AVAILABLE	<a href="http://www.iso.ch/iso/en">www.iso.ch/iso/en</a> <a href="http://www.bic-code.org/">http://www.bic-code.org/</a>
LANGUAGES	English
ADDRESS OF RESPONSIBLE AGENCY	Bureau International des Conteneurs (BIC), 167 rue de Courcelles, 75017 Paris, France, <a href="http://www.bic-code.org/">http://www.bic-code.org/</a>
REMARKS-	----

**Example**

KNLU4713308 NEDLLOYD maritime freight container with serial number 471330, (8 is the check digit)

**Usage in the implementation manuals**

CNI/GID/DGS/SGP/C237/8260

## 2.4.2.18. Package type

FULL TITLE	Codes for types of packages and packing materials
ABBREVIATION	UNECE Recommendation 21
ORIGINATING AUTHORITY	UN CEFACT
LEGAL BASIS-	----
CURRENT STATUS	operational
IMPLEMENTATION DATE	August 1994 (ECE/TRADE/195)
AMENDMENT	Trade/CEFACT/2002/24
STRUCTURE	2-character alphanumeric code value Code-value name 2-digit numeric code value description
SUCCINCT DESCRIPTION	A numeric code system to describe the appearance of goods as presented for transport to facilitate identification, recording, handling, and establishing handling tariffs.
LINKED CLASSIFICATIONS-	----
USAGE-	----
MEDIA THROUGH WHICH AVAILABLE	<a href="http://www.unece.org/cefact">www.unece.org/cefact</a>
LANGUAGES	English, French, German
ADDRESS OF RESPONSIBLE AGENCY	----
REMARKS	The numeric code value is not used in this standard

**Example**

BG Bag

BX Box

**Usage in the implementation manuals**

CNI/GID/C213/7065

## 2.4.2.19. Handling instructions

FULL TITLE	Handling instruction description code
ABBREVIATION	UN/EDIFACT data element 4079
ORIGINATING AUTHORITY	UN CEFACT
LEGAL BASIS-	----
CURRENT STATUS	Operational
IMPLEMENTATION DATE	25 July 2005
AMENDMENT	Trade/CEFACT/2005/
STRUCTURE	Repr: an..3 Code-value name 3-digit alpha code value description
SUCCINCT DESCRIPTION	An alpha code system to describe handling instructions for the tasks to be executed in a port to facilitate the handling of the vessel and establishing handling tariffs.
LINKED CLASSIFICATIONS-	----
USAGE	un/edifact messages
MEDIA THROUGH WHICH AVAILABLE	www.unece.org/cefact
LANGUAGES	English
ADDRESS OF RESPONSIBLE AGENCY	-----
REMARKS	The numeric code value is not used in this standard

**Example**

LOA	Loading
DIS	Discharge
RES	Re-stow

**Usage in the implementation manuals**

LOC/HAN/C524/4079

## 2.4.2.20. Purpose of call

FULL TITLE	Conveyance call purpose description code
ABBREVIATION	POC C525
ORIGINATING AUTHORITY	UN CEFACT
LEGAL BASIS-	----
CURRENT STATUS	Operational
IMPLEMENTATION DATE	25 July 2005
AMENDMENT	Trade/CEFACT/2005
STRUCTURE	Repr an..3 2-character numeric code value Code-value name
SUCCINCT DESCRIPTION	A numeric code system to describe the purpose of the call of the vessel to facilitate identification and recording,
LINKED CLASSIFICATIONS	HAN

USAGE	edifact messages
MEDIA THROUGH WHICH AVAILABLE	www.unece.org/cefact
LANGUAGES	English
ADDRESS OF RESPONSIBLE AGENCY	----
REMARKS	The numeric code value is used in this standard

**Example**

1	Cargo operations
23	Waste disposal

**Usage in the implementation manuals**

TSR/POC/C525/8025

## 2.4.2.21. Nature of cargo

FULL TITLE	Cargo type classification code
ABBREVIATION	UN/EDIFACT 7085 cargo type
ORIGINATING AUTHORITY	UN CEFACT
LEGAL BASIS-	----
CURRENT STATUS	Operational
IMPLEMENTATION DATE	25 July 2005
AMENDMENT	Trade/CEFACT/2005
STRUCTURE	AN..3 2-character numeric code value Code-value name 2-digit numeric code value description
SUCCINCT DESCRIPTION	A numeric code system to specify the classification of a type of cargo as transported to facilitate identification, recording, handling, and establishing tariffs.
LINKED CLASSIFICATIONS	HAN
USAGE	edifact messages
MEDIA THROUGH WHICH AVAILABLE	www.unece.org/cefact
LANGUAGES	English
ADDRESS OF RESPONSIBLE AGENCY	----
REMARKS	The numeric code value is used in these technical specifications

**Example**

5	Other non-containerised
30	Cargo in bulk

**Usage in the implementation manuals**

TSR/LOC/HAN/C703/7085

2.5. **Unique European vessel identification number**

- The unique European vessel identification number (ENI), in the following referred to as European vessel identification number is defined in Article 2.18 of Annex II to Directive 2006/87/EC.
- Unless the craft possesses a European vessel identification number at the time when it needs a European vessel identification number to participate in river information services (RIS), it shall be assigned to that craft by the competent authority of the Member State in which the craft has been registered or has its home port.

- As far as crafts from countries where an assignation of a European vessel identification number is not possible are concerned, the European vessel identification number shall be assigned by the competent authority of the Member State, where the vessel needs a European vessel identification number for the participation in RIS for the first time.
- The competent authority shall issue a certificate, which documents the assignation of the European vessel identification number.
- Only one single European vessel identification number can be assigned to one craft. The European vessel identification number is issued only once and remains unchanged throughout the whole lifetime of the craft.
- The owner of a craft, or his representative, shall apply to the competent authority for assignment of the European vessel identification number. The owner or his representative shall also be responsible for having the European vessel identification number affixed to the craft.
- Each Member State shall notify the Commission of the competent authorities responsible for assigning European vessel identification numbers. The Commission shall keep a register of those competent authorities and of competent authorities notified by third countries, and shall make the register available to the Member States. On request this register shall also be made available to competent authorities of third countries.
- Each competent authority in accordance with the previous paragraph shall make all necessary arrangements in order to inform all other competent authorities listed in the register kept in accordance with the previous paragraph of each European vessel identification number it assigns as well as of data for the identification of the vessel set out in Appendix IV of Annex II of Directive 2006/87/EC.
- These data may be made available to competent authorities of other Member States, Contracting States of the Mannheim Convention and, as far as an equivalent level of privacy is guaranteed, to third countries on the basis of administrative agreements in order to perform administrative measures for maintaining safety and ease of navigation.

## 2.6. Definition of the ERI vessel types

USEV/C	M	Code Subdiv		Name Description
No	8	00	0	Vessel, type unknown Vessel of unknown type.
V	8	01	0	Motor freighter Motorised vessel designed for carrying general cargo.
V	8	02	0	Motor tanker Motorised vessel designed for carrying cargo in tanks
V	8	02	1	Motor tanker, liquid cargo, type N Motorised vessel designed for carrying liquid cargo.
V	8	02	2	Motor tanker, liquid cargo, type C Motorised vessel designed for carrying special chemicals
V	8	02	3	Motor tanker, dry cargo Motorised vessel designed for carrying dry cargo as if liquid (e.g. cement)
V	8	03	0	Container vessel Vessel designed for carrying containers.
V	8	04	0	Gas tanker Vessel with tanks designed for carrying gas.
C	8	05	0	Motor freighter, tug Motorised vessel designed for carrying cargo and capable of towing.
C	8	06	0	Motor tanker, tug Motorised vessel designed for carrying liquid cargo and capable to tow.

USEV/C	M	Code Subdiv		Name Description
C	8	07	0	Motor freighter with one or more ships alongside Motorised vessel designed for carrying general cargo that has one or more vessels alongside.
C	8	08	0	Motor freighter with tanker Motorised vessel designed for carrying general cargo alongside a vessel designed for carrying liquid cargo.
C	8	09	0	Motor freighter pushing one or more freighters Motorised vessel designed for carrying general cargo, pushing one or more vessels also designed for carrying general cargo.
C	8	10	0	Motor freighter pushing at least one tank-ship Motorised vessel designed for carrying general cargo, pushing at least one vessel designed to carry a liquid cargo.
No	8	11	0	Tug, freighter Vessel designed to push or pull another vessel that is also capable of carrying general cargo.
No	8	12	0	Tug, tanker Vessel designed to push or pull another vessel also capable of carrying liquid cargo.
C	8	13	0	Tug, freighter, coupled Vessel designed to push or pull another vessel that is also capable of carrying general cargo tied to one or more other vessels.
C	8	14	0	Tug, freighter/tanker, coupled Vessel designed to push or pull another vessel that is also capable of carrying either general or liquid cargo tied to one or more other vessels.
V	8	15	0	Freight barge Lighter designed for carrying general cargo.
V	8	16	0	Tank barge Lighter designed for carrying cargo in tanks
V	8	16	1	Tank barge, liquid cargo, type N Lighter designed for carrying liquid cargo.
V	8	16	2	Tank barge, liquid cargo, type C Lighter designed to carrying special chemicals
V	8	16	3	Tank barge, dry cargo Lighter designed for carrying dry cargo as if liquid (e.g. cement)
V	8	17	0	Freight barge with containers Lighter designed for carrying containers.
V	8	18	0	Tank barge, gas Lighter designed for carrying gas.
C	8	21	0	Pushtow, one cargo barge Vessel designed for pushing/towing, facilitating the movement of one cargo barge.
C	8	22	0	Pushtow, two cargo barges Combination designed for pushing/towing, facilitating the movement of two cargo barges
C	8	23	0	Pushtow, three cargo barges Combination designed for pushing/towing, facilitating the movement of three cargo barges

USEV/C	M	Code Subdiv		Name Description
C	8	24	0	Pushtow, four cargo barges Combination designed for pushing/towing, facilitating the movement of four cargo barges.
C	8	25	0	Pushtow, five cargo barges Combination designed for pushing/towing, facilitating the movement of five cargo barges.
C	8	26	0	Pushtow, six cargo barges Combination designed for pushing/towing, facilitating the movement of six cargo barges.
C	8	27	0	Pushtow, seven cargo barges Combination designed for pushing/towing, facilitating the movement of seven cargo barges.
C	8	28	0	Pushtow, eight cargo barges Combination designed for pushing/towing, facilitating the movement of eight cargo barges.
C	8	29	0	Pushtow, nine cargo barges Combination designed for pushing/towing, facilitating the movement of nine or more cargo barges.
C	8	31	0	Pushtow, one gas/tanker barge Combination designed for pushing/towing, moving one tanker or gas barge.
C	8	32	0	Pushtow, two barges at least one tanker or gas barge Combination designed for pushing/towing, moving two barges of which at least one is a tanker or gas barge.
C	8	33	0	Pushtow, three barges at least one tanker or gas barge Combination designed for pushing/towing, moving three barges of which at least one is a tanker or gas barge.
C	8	34	0	Pushtow, four barges at least one tanker or gas barge Combination designed for pushing/towing, moving four barges of which at least one is a tanker or gas barge.
C	8	35	0	Pushtow, five barges at least one tanker or gas barge Combination designed for pushing/towing, moving five barges of which at least one is a tanker or gas barge.
C	8	36	0	Pushtow, six barges at least one tanker or gas barge Combination designed for pushing/towing, moving six barges of which at least one is a tanker or gas barge.
C	8	37	0	Pushtow, seven barges at least one tanker or gas barge Combination designed for pushing/towing, moving seven barges of which at least one is a tanker or gas barge.
C	8	38	0	Pushtow, eight barges at least one tanker or gas barge Combination designed for pushing/towing, moving eight barges of which at least one is a tanker or gas barge.
C	8	39	0	Pushtow, nine or more barges at least one tanker or gas barge Combination designed for pushing/towing, moving nine or more barges of which at least one is a tanker or gas barge.
V	8	40	0	Tug, single Vessel designed for pushing another vessel that is the only boat used for a tow.
No	8	41	0	Tug, one or more tows Vessel designed for pushing another vessel that is involved in one or more concurrent tows.

USEV/C	M	Code Subdiv		Name Description
C	8	42	0	Tug, assisting a vessel or linked combination Vessel designed for pushing another vessel that is assisting one vessel or a combination of vessels or tugs and vessels.
V	8	43	0	Pushboat, single Vessel designed for pushing.
V	8	44	0	Passenger ship, ferry, red cross ship, cruise ship Vessels designed for carrying passengers in general.
V	8	44	1	Ferry Vessel designed for carrying passengers and/or vehicles on regular short voyages.
V	8	44	2	<b>Red Cross ship</b> Vessel designed for carrying sick and or disabled people
V	8	44	3	Cruise ship Vessel designed for carrying passengers accommodated on-board
V	8	44	4	Passenger ship without accommodation Vessel designed for carrying passengers but without accommodation such as cabins etc.
V	8	45	0	Service vessel, police patrol, port services Vessel designed to perform a specific dedicated service.
V	8	46	0	Vessel, work maintenance craft, floating derrick, cable-ship, buoy-ship, dredge. Vessel designed to perform a specific type of work.
C	8	47	0	Object, towed, not otherwise specified. An object in tow that is not otherwise specified.
V	8	48	0	Fishing boat Vessel designed for fishing.
V	8	49	0	Bunkership Vessel designed for carrying and delivering bunkers.
V	8	50	0	Barge, tanker, chemical Vessel designed to carry liquid or bulk chemicals.
C	8	51	0	Object, not otherwise specified. A floating object that is not otherwise specified.
				Extra codes for maritime means of transport
V	1	50	0	General cargo vessel maritime Vessel designed to carry general cargo
V	1	51	0	Unit carrier maritime Vessel designed to carry containers
V	1	52	0	Bulk carrier maritime Vessel designed to carry bulk cargo
V	1	53	0	Tanker Vessel solely equipped with tanks for carrying cargo

USEV/C	M	Code Subdiv		Name Description
V	1	54	0	Liquefied gas tanker Tanker designed to carry liquefied gas
V	1	85	0	Craft, pleasure longer than 20 meters Vessel designed for recreation longer than 20 meters
V	1	90	0	Fast ship Fast all purpose vessel
V	1	91	0	Hydrofoil Vessel with wing-like structure for skimming at high speed
V	1	92	0	Catamaran fast Fast vessel designed with two parallel hulls

Source: UNECE.

## 2.7. Location codes

### 2.7.1. Data elements

The location code consists of the following separate elements:

Element No	Description
1	UN country code (2 digits)
2	UN location code (3 digits)
3	Fairway section No (5 digits)
4	Terminal code or passage point code (5 digits)
5	Fairway section hectometre (5 digits), in the database treated as an attribute to the fairway section number

The requested location shall be always presented as a unique code. This can be accomplished in different ways depending on the purpose of reporting and the local situation.

The UNLOCODE always consists of the country and location code, together this combination makes the UNLOCODE code unique.



2.7.2. Example

Purpose	Example	Used Elements					Code					
		1 UN country code	2 UN location code	3 Fairway section number	4 Terminal code	5 Fairway hectometer	1	2	3	4	5	
No	Full text											
<b>Transport notice, invoice declaration</b>												
	Place of departure/destination											
1	Germany; Mainz; Rhine; Frankenbach	x	x	x	X		DE	MAI	03901	00FRB	00000	
2	The Netherlands; Rotterdam; Section 2552 (Oude Maas); Leuvehaven	x	x	x	X		NL	RTM	02552	LEUVE	00000	
3	The Netherlands; Section 2552 (Oude Maas); km 2,2	x		x		x	NL	XXX	05552	00000	00022	
4	Germany; Rhine; km 502,3	x		x		x	DE	XXX	03900	00000	05023	
<b>Traffic notice</b>												
	Passage Point											
5	Germany; Rhine; km 502,3	x		x		x	DE	XXX	03900	00000	05023	
6	Germany; Oberwesel; Rhine; Traffic centre	x	x	x	X		DE	OWE	03901	TRACE	00000	
7	Germany; Trier; Mose; lock	x	X	x	X		De	TRI	03201	LOCK	00000	

**Abbreviations**

Abbreviations	Description
AND	European Agreement concerning the international carriage of dangerous goods by inland waterways (EU Council Directive 94/95/EC)
ADNR	Règlement pour le transport de matières dangereuses sur le Rhin
AIS	Automatic identification system
BERMAN	Berth management (EDI message)
CCNR	Central Commission for the navigation on the Rhine
CN	Combined Nomenclature (on goods) of the harmonised system
DWT	Dead weight
EAN	European Article Numbering Association
ECDIS	Electronic chart display and information system
EDI	Electronic data interchange
ENI	European vessel identification number
ERI	Electronic reporting international
ERINOT	ERI notification (message)
ERIRSP	ERI response (message)
ERN	Electronic reporting number
ETA	Estimated time of arrival
ETD	Estimated time of departure
FAL	IMO facilitation convention
GPS	Global positioning system
HS Code	Harmonised commodity description and coding system of WCO
HTML	Hyper text markup language
IFTDGN	International forwarding and transport dangerous goods notification (message)
IMDG	International maritime dangerous goods code (number)
IMO	International Maritime Organisation
IMO-FAL	Convention on the Facilitation of International Maritime Traffic, 1965, with amendments
ISO	International Standardisation Organisation
ISPS	International ship and port facility security (code)
LOCODE	UNECE location code for ports and freight stations
NST 2000	Standard goods classification for transport statistics (to be used from 2007 onwards)
NST/R	Standard goods classification for transport statistics/revised
OFS	Official ship number
PAXLST	Passenger list (message)
PROTECT	International Organisation of North Europeans Ports dealing with dangerous goods message implementation
PCS	Port community system
RIS	River information services

Abbreviations	Description
SCAC	Standard carrier alpha code
SOLAS	Safety of Lives at Sea IMO Convention
UN/CEFACT	UN Centre for Trade Facilitation and Electronic Business
UN/ECE	United Nations Economic Commission for Europe
UN/EDIFACT	Electronic data interchange for administration, commerce and transport
UN/LOCODE	United Nations location code
UNDG	United Nations dangerous goods (number)
UNTDID	United Nations trade data interchange directory
URL	Uniform resource allocator (Internet address)
VTM	Vessel traffic management
VTS	Vessel traffic services
WCO	World Customs Organisation
XML	Extended markup language

## Appendix 1

**(Dangerous) Goods Reporting (IFTDGN) — ERINOT**

## TABLE OF CONTENTS

1.	ERI notification message .....	44
1.1	Segment table .....	44
1.2.	Branching diagram (ERI notification message) .....	46
1.3.	ERINOT message structure .....	47
1.4.	Dummy segments .....	83
1.5.	Empty vessels .....	84
1.6.	Container transport with non-dangerous goods .....	84
1.7.	Containers with unknown details on the goods or empty containers .....	85
1.8.	Exchanging information between RIS authorities .....	86
1.9.	Cancelling a notification .....	86

## 1. ERI NOTIFICATION MESSAGE

The ERI notification message (ERINOT) is a specific use of the UN/EDIFACT 'International Forwarding and Transport Dangerous Goods Notification (IFTDGN)' message as it has been developed within the PROTECT organisation. The ERINOT message is based on EDIFACT directory 98.B and Protect version 1.0.

The segment table of ERINOT message is depicted in chapter 1.1. The branching diagram of the ERINOT message is depicted in chapter 1.2.

To ensure the usage of the message also under special circumstances such as a convoy of ships, some extra qualifiers have been introduced for the RFF segments in the TDT group.

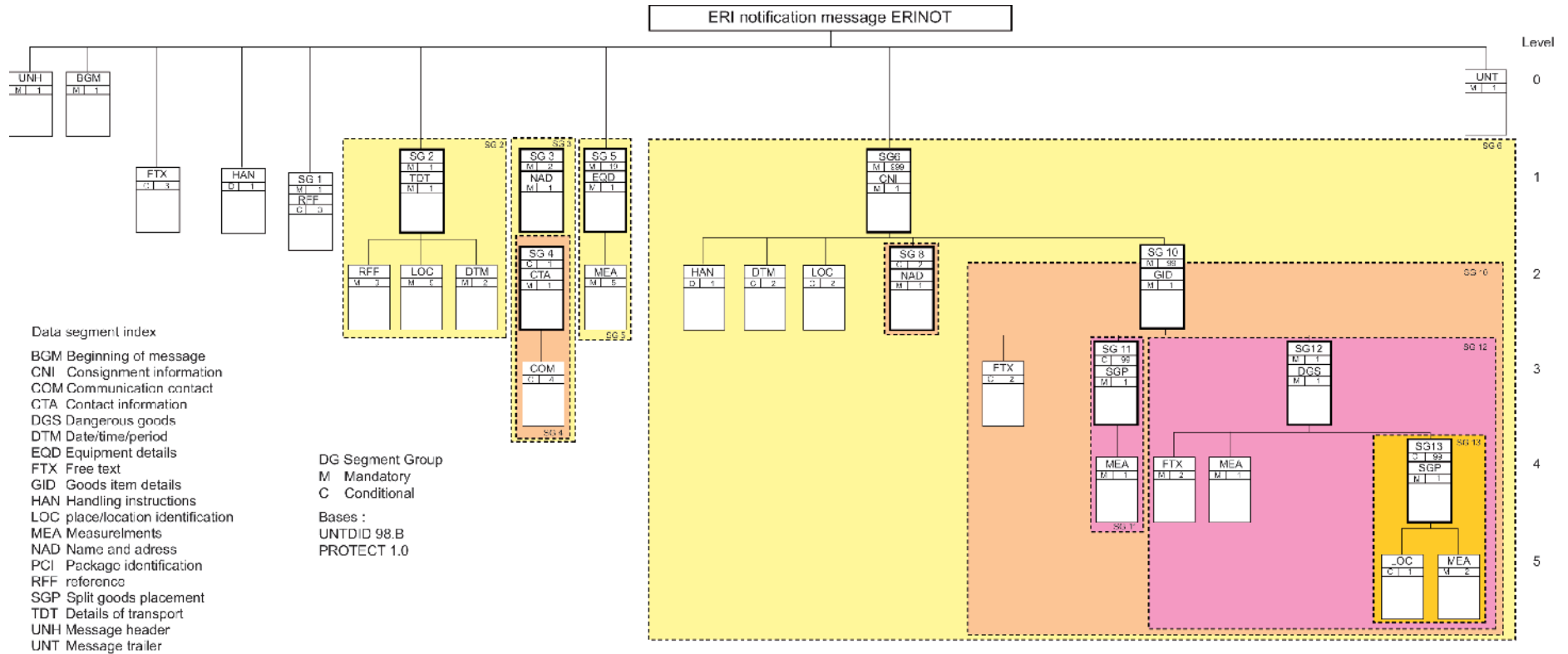
## 1.1. Segment table

Tag	Name	ERI			
		S	R	S	R
<u>UNH</u>	Message header	M	1	M	1
<u>BGM</u>	Beginning of message	M	1	M	1
<u>DTM</u>	Date/time/period	C	9	C	0
<u>FTX</u>	Free text	C	9	C	3
<u>HAN</u>	Handling instructions	C	1	D	1
	-----Segment Group 1-----	C	9-	-- C	3- -- -- -- -- --
<u>REF</u>	Reference	M	1	M	1
<u>DTM</u>	Date/time/period	C	9-	-- ---- --	0- ---- -- -- -- --
	-----Segment Group 2-----	C	1-	-- M	1- -- -- -- -- --
<u>TDT</u>	Details of transport	M	1	M	1
<u>RFF</u>	Reference	C	9	M	9
<u>LOC</u>	Place/location identification	C	1	0 M	9
<u>DTM</u>	Date/time/period	C	2-	-- C-	--- 2- --- ---- -- -- --
	-----Segment Group 3-----	C	9-	-- M-	--- 2- --- ---- -- -- --
<u>NAD</u>	Name and address	M	1	M	1



## 1.2. Branching diagram (ERI notification message)

BGM Beginning of message; CNI Consignment information; COM Communication contact; CTA Contact information; DGS Dangerous goods; DTM Date/time/period; EQD Equipment details; FTX Free text; GID Goods items details; HAN Handling instructions; LOC Place/location identification; MEA Measurements; NAD Name and address; PCI Package identification; RFF Reference; SGP Split goods placement; TDT Details of transport; UNH Message header; UNT Message trailer; SG Segment group; M Mandatory; C Conditional; Bases: UNTD98.B, PROTECT 1.0



## 1.3. ERINOT message structure

Table 1 defines the structure of the segments and the data elements of the ERI notification message.

Table 1: ERI notification message ERINOT						
Segment Group	Segment Composite data element (C) Data element TAG	Level	Mandatory Conditional	Format	Name	Description Qualifiers in quotation marks
1	2	3	4	5	6	7
	UNB	0	M		INTERCHANGE HEADER	
	S001		M		SYNTAX IDENTIFIER	
	0001		M	a4	Syntax identifier	'UNOA' Controlling agency level A
	0002		M	n1	Syntax version number	'2'
	S002		M		INTERCHANGE SENDER	
	0004		M	an..35 (an25)	Sender identification	Mailbox number or unique name
	0007		C	an..4	Partner identification code qualifier	n.a.
	0008		C	an..14	Address for reverse routing	n.a.
	S003		M		INTERCHANGE RECIPIENT	
	0010		M	an..35 (an25)	Recipient identification	Mailbox number or unique name
	0007		C	an..4	Partner identification code qualifier	n.a.
	0014		C	an..14	Routing address	n.a.
	S004		M		DATE/TIME OF PREPARATION	
	0017		M	n6	Date	Generation date, YYMMDD
	0019		M	n4	Time	Generation time, HHMM
	0020		M	an..14	Interchange control reference	First 14 positions of the message reference number
	S005		C		RECIPIENTS REFERENCE, PASSWORD	n.a.
	0022			an..14	Recipient's reference/password	n.a.
	0025			an2	Recipient's reference, password qualifier	n.a.
	0026			an..14	Application reference	n.a.
	0029			a1	Processing priority code	n.a.
	0031		C	n1	Acknowledgement request	'1' = Sender requests acknowledgement, i.e. UNB and UNZ segments received and identified
	0032			an..35	Communications agreement id	n.a.
	0035		C	n1	Test indicator	'1' = The interchange relates to a test message

Table 1: ERI notification message ERINOT

Segment Group	Segment Composite data element (C) Data element TAG	Level	Mandatory Conditional	Format	Name	Description Qualifiers in quotation marks
1	2	3	4	5	6	7
	<b>UNH</b>	0	M		<b>MESSAGE HEADER</b>	Identification, specification and heading of a message
	0062		M	an..14	Message reference number	First 14 positions of the message reference number
	S009		M		MESSAGE IDENTIFIER	
	0065		M	an..6	Message type	'IFTDGN', message type
	0052		M	an..3	Message version number	'D'
	0054		M	an..3	Message release number	'98B'
	0051		M	an..2	Controlling agency	'UN'
	0057		M	an..6	Association assigned code	'ERI12', ERI Version 1.2
	0068		O	an..35	Common access reference	The reference code to have a common denominator for all messages for the same voyage
	S010				STATUS OF THE TRANSFER	n.a.
	0070			n..2	Sequence of transfers	n.a.
	0073			a1	First and last transfer	n.a.
	<b>BGM</b>	0	M		<b>BEGINNING OF MESSAGE</b>	Identification of the type and function of the message
	C002		M		DOCUMENT/MESSAGE NAME	
	1001		M	an..3	Document/message name code	<b>Type</b> of message: 'VES', from vessel to RIS authority message 'CAR', from carrier to RIS authority message 'PAS', passage report from RIS authority to RIS authority (also see section 0)
	1131			an..3	Code list qualifier	n.a.
	3055			an..3	Code list responsible agency	n.a.
	1000			an..35	Document/message name	n.a.
	C106		M		DOCUMENT/MESSAGE IDENTIFICATION	
	1004		M	an..35 (an15)	Document identifier	Message reference number. This number should be as unique as possible, both for sender and for receiver. If a message is received and then passed on to another receiver, the original message reference number should be used. The transitional system should in this case not generate another message reference number



Table 1: ERI notification message ERINOT

Segment Group	Segment Composite data element (C) Data element TAG	Level	Mandatory Conditional	Format	Name	Description Qualifiers in quotation marks
1	2	3	4	5	6	7
	1056			an..9	Version	n.a.
	1060			an..6	Revision number	n.a.
	1225		M	an..3	Message function code	<b>Function</b> of message: '1' = cancellation message '9' = new message, (original) '5' = modification message
	4343		C	an..3	Response type code	AQ
	<b>FTX (1)</b>	1	C		<b>FREE TEXT</b>	To notify the number of <b>persons on board</b> and the number of <b>blue cones</b>
	4451		M	an..3	Text subject code qualifier	'SAF' for safety explanation
	4453			an..3	Free text function code	n.a.
	C107				TEXT REFERENCE	
	4441			an..17	Free text identification	n.a.
	1131			an..3	Code list qualifier	n.a.
	3055			an..3	Code list responsible agency	n.a.
	C108		M		TEXT LITERAL	Text
	4440		M	an.. 70 (n4)	Free text	Total number of persons on board
	4440		C	an.. 70 (an1)	Free text	'0', '1', '2', '3' for number of cones (inland vessel) 'B' for red signal flag (maritime vessel) 'V' for special permit
	4440		C	an.. 70 (n4)	Free text	Number of passengers
	4440			an.. 70	Free text	n.a.
	4440			an.. 70	Free text	n.a.
	3453			an.. 3	Language, coded	n.a.
	4447			an..3	Text formatting, coded	n.a.
	<b>FTX (2)</b>	1	C		<b>FREE TEXT</b>	<b>To indicate whether the information in the message may be forwarded by the receiver to other authorities</b>
	4451		M	an..3	Text subject code qualifier	'ACK' for 'Privacy statement' or 'Confidential nature'
	4453			an..3	Free text function code	n.a.
	C107				TEXT REFERENCE	
	4441			an..17	Free text identification	n.a.

Table 1: ERI notification message ERINOT

Segment Group	Segment Composite data element (C) Data element TAG	Level	Mandatory Conditional	Format	Name	Description Qualifiers in quotation marks
1	2	3	4	5	6	7
	1131			an..3	Code list qualifier	n.a.
	3055			an..3	Code list responsible agency	n.a.
	C108		M		TEXT LITERAL	
	4440		M	an..70 (a1)	Free text	'Y' = Yes, 'N' = No
	4440			an..70	Free text	n.a.
	4440			an..70	Free text	n.a.
	4440			an..70	Free text	n.a.
	4440			an..70	Free text	n.a.
	4440			an..70	Free text	n.a.
	3453			an..3	Language, coded	n.a.
	4447			an..3	Text formatting, coded	n.a.
	<b>FTX</b>		C		Free text	<b>Reason for cancellation</b>
	4451		M	an..3	Text subject code qualifier	'ACD' cancellation reason
	4453			an..3	Free text function code	n.a.
	C107		M		TEXT REFERENCE	Text identification
	4441		M	an..17	Free text identification	'CAM' mistake in notification 'CAO' transport does not take place 'CAV' the main transport destination has changed 'CHD' the time of arrival has changed
	1131			an..3	Code list qualifier	n.a.
	3055			an..3	Code list responsible agency	n.a.
	C108		M			Text
	4440		M	an..70	Free text	Free description of the reason
	4440		C	an..70	Free text	Free text for further explanation
	4440		C	an..70	Free text	Free text for further explanation
	4440		C	an..70	Free text	Free text for further explanation
	4440		C	an..70	Free text	Free text for further explanation
	3453		C	an..3	Language, coded	n.a.
	4447		C	an..3	Text formatting, coded	n.a.

Table 1: ERI notification message ERINOT

Segment Group	Segment Composite data element (C) Data element TAG	Level	Mandatory Conditional	Format	Name	Description Qualifiers in quotation marks
1	2	3	4	5	6	7
	<b>HAN(1)</b>	1	D			
	C524		M		HANDLING INSTRUCTIONS	
	4079		M		Handling instructions, coded	Default 'T' T = Transit LLO = Loading LDI = Unloading TSP = Transit in the same port
	1131		C		Code list qualifier	n.a.
	3055		C		Code list responsible agency, coded	n.a.
	4078		C		Handling instructions	n.a.
	C218		C		HAZARDOUS MATERIAL	n.a.
	7419		C		Hazardous material class code, identification	n.a.
	1131		C		Code list qualifier	n.a.
	3055		C		Code list responsible agency, coded	n.a.
	7418		C		Hazardous material class	n.a.
	<b>RFF (1)</b>	1	C		<b>REFERENCE</b>	Reference to the message for which the current message is a <b>replacement</b> . Mandatory if the message is a modification or a cancellation message
	C506		M		REFERENCE	
	1153		M	an..3	Reference qualifier	'ACW' for reference number to previous message
	1154		M	an..35 (an15)	Reference number	Message reference number from BGM, TAG 1004 of the message this message replaces
	1156			an..6	Line number	n.a.
	4000			an..35	Reference version number	n.a.
	1060			an..6	Revision number	n.a.
	<b>RFF (2)</b>	1	C		<b>REFERENCE</b>	Reference to <b>transport document</b>
	C506		M		REFERENCE	
	1153		M	an..3	Reference qualifier	'FF' for 'freight forwarder's reference number'
	1154		M	an..35	Reference number	Reference number of the transport document
	1156			an..6	Line number	n.a.

Table 1: ERI notification message ERINOT

Segment Group	Segment Composite data element (C) Data element TAG	Level	Mandatory Conditional	Format	Name	Description Qualifiers in quotation marks
1	2	3	4	5	6	7
	4000			an..35	Reference version number	n.a.
	1060			an..6	Revision number	n.a.
	<b>RFF (3)</b>	1	C		<b>REFERENCE</b>	Reference to a <b>test scenario</b>
	C506		M		REFERENCE	
	1153		M	an..3	Reference qualifier	'ADD' for test number
	1154		M	an..35	Reference number	Test scenario identification, which should be known at the receiving party
	1156			an..6	Line number	n.a.
	4000			an..35	Reference version number	n.a.
	1060			an..6	Revision number	n.a.
TDT	<b>TDT</b>	1	M		<b>DETAILS OF TRANSPORT</b>	Specification of the means of transport, the <b>naming vessel within a convoy</b> (a single vessel without barge is also a convoy in this context)
	8051		M	an..3	Transport stage code qualifier	'20' for main carriage transport
	8028		C	an..17	Conveyance reference number	Voyage number, defined by sender of the message
	C220		M		MODE OF TRANSPORT	
	8067		M	an..3	Mode of transport, coded	'8' for Inland water transport, '1' for maritime transport (see UN/ECE Rec. 19)
	8066			an..17	Mode of transport	n.a.
	C228		M		TRANSPORT MEANS	
	8179		M	an..8 (an4)	Type of means of transport identification, <b>convoy type</b>	Code for ship and convoy types of means of transport from UN/CEFACT Rec. 28, see Part 2, Chapter 4.2.1
	8178			an..17	Type of means of transport	n.a.
	C040				CARRIER	n.a.
	3127			an..17	Carrier identification	n.a.
	1131			an..3	Code list qualifier	n.a.
	3055			an..3	Code list responsible agency	n.a.
	3128			an..35	Carrier name	n.a.
	8101			an..3	Transit direction, coded	n.a.

Table 1: ERI notification message ERINOT

Segment Group	Segment Composite data element (C) Data element TAG	Level	Mandatory Conditional	Format	Name	Description Qualifiers in quotation marks
1	2	3	4	5	6	7
	C401				EXCESS TRANSPORTATION INFORMATION	
	8457			an..3	Excess transportation reason	n.a.
	8459			an..3	Excess transportation responsibility	n.a.
	7130			an..17	Customer authorisation number	n.a.
	C222		M		TRANSPORT IDENTIFICATION	
	8213		M	an..9 (an7..8)	ID. of means of transport identification	Vessel <b>number</b> : 7 digits for OFS or IMO indication, 8 digits for ERN indication and unique European vessel identification number
	1131		M	an..3	Code list qualifier	'OFS' for a Official Ship Number of CCNR system, see Part 2, Chapter 4.2.2 'IMO' for an IMO-number, see Part 2, Chapter 4.2.3 'ERN' for all other ships (Electronic Reporting International Number), see Part 2, Chapter 4.2.4 'ENI' for a unique European vessel identification number, see Part 2, Chapter 4.2.5
	3055			an..3	Code list responsible agency	n.a.
	8212		M	an..35	Id. of the means of transport	<b>Name of the ship</b> : If the name results in more than 35 positions, the name of the vessel is shortened
	8453		M	an..3	Nationality of means of transport	ISO two-alpha country code 3166-1, see Part 2, Chapter 4.2.12. If the nationality of the means of transport is not known the 3-digit code of the competent authority which issued the European vessel identification number should be used.
	8281			an..3	Transport ownership	n.a.
TDT	<b>RFF (1)</b>	2	M		<b>REFERENCE</b>	Dimensions of the transport, <b>length</b>
	C506		M		REFERENCE	
	1153		M	an..3	Reference qualifier	'LEN' = Length
	1154		M	an..35 (n..5)	Reference number	Total length of the convoy t in centimetres

Table 1: ERI notification message ERINOT

Segment Group	Segment Composite data element (C) Data element TAG	Level	Mandatory Conditional	Format	Name	Description Qualifiers in quotation marks
1	2	3	4	5	6	7
	1156			an..6	Line number	n.a.
	4000			an..35	Reference version number	n.a.
	1060			an..6	Revision number	n.a.
TDT	<b>RFF (2)</b>	2	M		<b>REFERENCE</b>	Dimensions of the transport, <b>width</b>
	C506		M		REFERENCE	
	1153		M	an..3	Reference qualifier	'WID'
	1154		M	an..35 (n..4)	Reference number	Total width of the convoy in centimetres
	1156			an..6	Line number	n.a.
	4000			an..35	Reference version number	n.a.
	1060			an..6	Revision number	n.a.
TDT	<b>RFF (3)</b>	2	M		<b>REFERENCE</b>	Dimensions of the transport, <b>draught</b>
	C506		M		REFERENCE	
	1153		M	an..3	Reference qualifier	'DRA'
	1154		M	an..35 (n..4)	Reference number	Draught of the convoy in centimetres
	1156			an..6	Line number	n.a.
	4000			an..35	Reference version number	n.a.
	1060			an..6	Revision number	n.a.
TDT	<b>RFF (4)</b>	2	C		<b>REFERENCE</b>	Dimensions of the transport, <b>the height</b>
	C506		M		REFERENCE	
	1153		M	an..3	Reference qualifier	'HGT'
	1154		M	an..35 (n..4)	Reference number	Height of the convoy above the waterline in centimetres
	1156			an..6	Line number	n.a.
	4000			an..35	Reference version number	n.a.
	1060			an..6	Revision number	n.a.
TDT	<b>RFF (5)</b>	2	M		<b>REFERENCE</b>	Dimensions of the transport, <b>tonnage</b>
	C506		M		REFERENCE	Reference
	1153		M	an..3	Reference qualifier	'TON'
	1154		M	an..35 (n..5)	Reference number	Maximum capacity of the convoy in metric tonnes

Table 1: ERI notification message ERINOT

Segment Group	Segment Composite data element (C) Data element TAG	Level	Mandatory Conditional	Format	Name	Description Qualifiers in quotation marks
1	2	3	4	5	6	7
	1156			an..6	Line number	n.a.
	4000			an..35	Reference version number	n.a.
	1060			an..6	Revision number	n.a.
TDT	<b>RFF (6)</b>	2	C		<b>REFERENCE</b>	<b>National voyage reference, Belgium</b>
	C506		M		REFERENCE	Reference
	1153		M	an..3	Reference qualifier	'GNB'
	1154		M	an..35	Reference number	Government reference of Belgium
	1156			an..6	Line number	n.a.
	4000			an..35	Reference version number	n.a.
	1060			an..6	Revision number	n.a.
TDT	<b>RFF (7)</b>	2	C		<b>REFERENCE</b>	<b>National voyage reference, France</b>
	C506		M		REFERENCE	Reference
	1153		M	an..3	Reference qualifier	'GNF'
	1154		M	an..35	Reference number	Government reference of France
	1156			an..6	Line number	n.a.
	4000			an..35	Reference version number	n.a.
	1060			an..6	Revision number	n.a.
TDT	<b>RFF (8)</b>	2	C		<b>REFERENCE</b>	<b>National voyage reference, Germany</b>
	C506		M		REFERENCE	Reference
	1153		M	an..3	Reference qualifier	'GNG'
	1154		M	an..35	Reference number	Government reference of Germany
	1156			an..6	Line number	n.a.
	4000			an..35	Reference version number	n.a.
	1060			an..6	Revision number	n.a.
TDT	<b>RFF (9)</b>	2	C		<b>REFERENCE</b>	<b>National voyage reference, reserved 1</b>
	C506		M		REFERENCE	Reference
	1153		M	an..3	Reference qualifier	'GN1'
	1154		M	an..35	Reference number	Government reference, reserved 1
1	1156			an..6	Line number	n.a.

Table 1: ERI notification message ERINOT

Segment Group	Segment Composite data element (C) Data element TAG	Level	Mandatory Conditional	Format	Name	Description Qualifiers in quotation marks
1	2	3	4	5	6	7
	4000			an..35	Reference version number	n.a.
	1060			an..6	Revision number	n.a.
TDT	<b>LOC (1)</b>	2	M		<b>PLACE/LOCATION IDENTIFICATION</b>	<b>Port of departure</b> , the port where the transport starts
	3227		M	an..3	Place/location qualifier	'5' place of departure
	C517		M		LOCATION IDENTIFICATION	
	3225		M	an..25 (an5)	Place/location identification	UN/ECE location code (Rec. 16), see Part 2, Chapter 4.2.13
	1131			an..3	Code list qualifier	n.a.
	3055			an..3	Code list responsible agency	n.a.
	3224		C	an..70 (an..17)	Place/location	Full name of the port location
	C519		C		RELATED LOCATION ONE IDENTIFICATION	
	3223		M	an..25 (an..5)	Related place/location one identification	Terminal code, see Part 2, Chapter 4.2.15
	1131			an..3	Code list qualifier	n.a.
	3055			an..3	Code list responsible agency	n.a.
	3222			an..70	Related place/location one	Full name of the terminal.
	C553		C		RELATED LOCATION TWO IDENTIFICATION	
	3233		M	an..25 (an5)	Related place/location two identification	Fairway section code, see Part 2, Chapter 4.2.14
	1131			an..3	Code list qualifier	
	3055			an..3	Code list responsible agency	n.a.
	3232		C	an..70 (an..5)	Related place/location two	Fairway section hectometre
	5479			an..3	Relation	n.a.
TDT	<b>LOC (2)</b>	2	C		<b>PLACE/LOCATION IDENTIFICATION</b>	<b>Passage point that has already being passed</b> by the ship. This segment and the TDT/DTM(2) segment with qualifier 186 are mandatory for passage reports.
	3227		M	an..3	Place/location qualifier	'172' for passage point



Table 1: ERI notification message ERINOT

Segment Group	Segment Composite data element (C) Data element TAG	Level	Mandatory Conditional	Format	Name	Description Qualifiers in quotation marks
1	2	3	4	5	6	7
	C517		M		LOCATION IDENTIFICATION	
	3225		M	an..25 (an5)	Place/location identification	UN/ECE location code (Rec. 16) of the passage point (lock, bridge, traffic centre), see Part 2, Chapter 4.2.13
	1131			an..3	Code list qualifier	n.a.
	3055			an..3	Code list responsible agency	n.a.
	3224		C	an..70 (an..17)	Place/location	Full name of the passage point
	C519		C		RELATED LOCATION ONE IDENTIFICATION	
	3223		M	an..25 (an..5)	Related place/location one identification	Passage point code
	1131			an..3	Code list qualifier	n.a.
	3055			an..3	Code list responsible agency	n.a.
	3222			an..70	Related place/location one	n.a.
	C553		C		RELATED LOCATION TWO IDENTIFICATION	
	3233		M	an..25 (an5)	Related place/location two identification	Fairway section code, see Part 2, Chapter 4.2.14
	1131			an..3	Code list qualifier	
	3055			an..3	Code list responsible agency	n.a.
	3232		C	an..70 (an..5)	Related place/location two	Fairway section hectometre
	5479			an..3	Relation	n.a.
TDT	<b>LOC (3)</b>	2	C		<b>PLACE/LOCATION IDENTIFICATION</b>	<b>Next passage point</b>
	3227		M	an..3	Place/location qualifier	'61' for next port of call
	C517		M		LOCATION IDENTIFICATION	
	3225		M	an..25 (an5)	Place/location identification	UN/ECE location code (Rec. 16) of the passage point (lock, bridge, VTS centre), see Part 2, Chapter 4.2.13
	1131			an..3	Code list qualifier	n.a.
	3055			an..3	Code list responsible agency	n.a.
	3224		C	an..70 (an..17)	Place/location	Full name of the passage point
	C519		C		RELATED LOCATION ONE IDENTIFICATION	
	3223		M	an..25	Related place/location one identification	Passage point code

Table 1: ERI notification message ERINOT

Segment Group	Segment Composite data element (C) Data element TAG	Level	Mandatory Conditional	Format	Name	Description Qualifiers in quotation marks
1	2	3	4	5	6	7
	1131			an..3	Code list qualifier	n.a.
	3055			an..3	Code list responsible agency	n.a.
	3222			an..70	Related place/location one	n.a.
	C553		C		RELATED LOCATION TWO IDENTIFICATION	
	3233		M	an..25 (an5)	Related place/location two identification	Fairway section code, see Part 2, Chapter 4.2.14
	1131			an..3	Code list qualifier	
	3055			an..3	Code list responsible agency	n.a.
	3232		C	an..70 (an..5)	Related place/location two	Fairway section hectometre
	5479			an..3	Relation	n.a.
TDT	<b>LOC (4..8)</b>	2	C		<b>PLACE/LOCATION IDENTIFICATION</b>	<b>Further future passage points</b> (information on intended route). At most five intermediate points on the route can be given. The order of passage should be the order within the message.
	3227		M	an..3	Place/location qualifier	'92' for routing
	C517		M		LOCATION IDENTIFICATION	
	3225		M	an..25 (an5)	Place/location identification	UN/ECE location code (Rec. 16) of the passage point (lock, bridge, traffic centre), see Part 2, Chapter 4.2.13
	1131			an..3	Code list qualifier	n.a.
	3055			an..3	Code list responsible agency	n.a.
	3224		C	an..17	Place/location	Full name of the passage point
	C519		C		RELATED LOCATION ONE IDENTIFICATION	
	3223		M	an..25 (an..5)	Related place/location one identification	Passage point code
	1131			an..3	Code list qualifier	n.a.
	3055			an..3	Code list responsible agency	n.a.
	3222			an..70	Passage datetime	YYMMDDHHMM as '201' of DTM 2379
	C553		C		RELATED LOCATION TWO IDENTIFICATION	
	3233		M	an..25 (an5)	Related place/location two identification	Fairway section code, see Part 2, Chapter 4.2.14

Table 1: ERI notification message ERINOT

Segment Group	Segment Composite data element (C) Data element TAG	Level	Mandatory Conditional	Format	Name	Description Qualifiers in quotation marks
1	2	3	4	5	6	7
	1131			an..3	Code list qualifier	
	3055			an..3	Code list responsible agency	n.a.
	3232		C	an..70 (an..5)	Related place/location two	Fairway section hectometre
	5479			an..3	Relation	n.a.
TDT	<b>LOC (9)</b>	2	M		<b>PLACE/LOCATION IDENTIFICATION</b>	<b>Port of destination.</b> This is the first port where the transport is bound.
	3227		M	an..3	Place/location qualifier	'153' for place of call
	C517		M		LOCATION IDENTIFICATION	
	3225		M	an..25 (an5)	Place/location identification	UN/ECE location code (Rec. 16) of the port, see Part 2, Chapter 4.2.13
	1131			an..3	Code list qualifier	n.a.
	3055			an 3	Code list responsible agency	n.a.
	3224		C	an..70 (an..17)	Place/location	Full name of the port location
	C519		C		RELATED LOCATION ONE IDENTIFICATION	
	3223		M	an..25 (an..5)	Related place/location one identification	Terminal code, see Part 2, Chapter 4.2.15
	1131			an..3	Code list qualifier	n.a.
	3055			an..3	Code list responsible agency	n.a.
	3222			an..70	Related place/location one	Full name of the terminal
	C553		C		RELATED LOCATION TWO IDENTIFICATION	
	3233		M	an..25 (an5)	Related place/location two identification	Fairway section code, see Part 2, Chapter 4.2.14
	1131			an..3	Code list qualifier	
	3055			an..3	Code list responsible agency	n.a.
	3232		C	an..70 (an..5)	Related place/location two	Fairway section hectometre
	5479			an..3	Relation	n.a.
TDT	<b>DTM (1) to LOC(1)</b>	2	C		<b>DATE/TIME/PERIOD</b>	<b>Departure time</b> (estimated)
	C507		M		DATE/TIME/PERIOD	
	2005		M	an..3	Date or time or period function code qualifier	'133' for departure date/time, estimated
	2380		M	an..35	Date or time period value	Value of departure time



Table 1: ERI notification message ERINOT

Segment Group	Segment Composite data element (C) Data element TAG	Level	Mandatory Conditional	Format	Name	Description Qualifiers in quotation marks
1	2	3	4	5	6	7
	C080		M		PARTY NAME	
	3036		M	an..35	Party name	Sender name
	3036			an..35	Party name	n.a.
	3036			an..35	Party name	n.a.
	3036			an..35	Party name	n.a.
	3036			an..35	Party name	n.a.
	3045			an..3	Party name format, coded	n.a.
	C059		C		STREET	
	3042		M	an..35	Street and number/PO box	Street and number or post office box
	3042			an..35	Street and number/PO box	n.a.
	3042			an..35	Street and number/PO box	n.a.
	3042			an..35	Street and number/PO box	n.a.
	3164		C	an..35	City name	City
	3229			an..9	Country sub-entity identification	n.a.
	3251		C	an..9	postcode identification	Postal identification code
	3207		C	an..3	Country	ISO 3166-1 two alpha country code, see Part 2, Chapter 4.2.12
NAD	<b>CTA</b>	2	C		<b>CONTACT INFORMATION</b>	Sender contact details
	3139			an..3	Contact function	n.a.
	C056		M		DEPARTMENT OR EMPLOYEE DETAILS	
	3413			an..17	Department or employee identification	n.a.
	3412		M	an..35	Department or employee	'ERI', dummy value
NAD/CTA	<b>COM</b>	4	C		<b>COMMUNICATION CONTACT</b>	Sender communication contact details (maximum 4 times)
	C076		M		COMMUNICATION CONTACT	
	3148		M	an..70	Communication number	Communication number

Table 1: ERI notification message ERINOT

Segment Group	Segment Composite data element (C) Data element TAG	Level	Mandatory Conditional	Format	Name	Description Qualifiers in quotation marks
1	2	3	4	5	6	7
	3155		M	an..3	Communication channel qualifier	'TE' for telephone number 'FX' for fax number 'EM' for E-mail address 'EI' for EDI mailbox number (EDI number <b>or</b> e-mail address for NAD 1 is mandatory if a response in the form of an ERIRSP message is requested for. If no response is requested, the EDI number and e-mail address is not to be used).
NAD	NAD (2)	1	C		NAME and ADDRESS	Name and address of <b>agent/invoicee</b>
	3035		M	an..3	Party function code qualifier	'CG' for agent/invoice address (for VNF this segment is mandatory)
	C082		C		PARTY IDENTIFICATION DETAILS	
	3039		M	an..35	Party identification	Identification code. For notifications to the Port of Rotterdam this element is mandatory. ERI fills this element with '900000000'
	1131			an..3	Code list qualifier	n.a.
	3055			an..3	Code list responsible agency	n.a.
	C058				NAME AND ADDRESS	n.a.
	3124			an..35	Name and address line	n.a.
	3124			an..35	Name and address line	n.a.
	3124			an..35	Name and address line	n.a.
	3124			an..35	Name and address line	n.a.
	3124			an..35	Name and address line	n.a.
	C080		M		PARTY NAME	
	3036		M	an..35	Party name	Sender name.
	3036		C	an..35 (an..25)	Invoice number	Invoice number of the agent/invoicee
	3036			an..35	Party name	n.a.
	3036			an..35	Party name	n.a.
	3036			an..35	Party name	n.a.
	3045			an..3	Party name format, coded	n.a.
	C059		C		STREET	Street
	3042		M	an..35	Street and number/PO box	Address (street name + number or post office box number)

Table 1: ERI notification message ERINOT

Segment Group	Segment Composite data element (C) Data element TAG	Level	Mandatory Conditional	Format	Name	Description Qualifiers in quotation marks
1	2	3	4	5	6	7
	3042			an..35	Street and number/PO box	n.a.
	3042			an..35	Street and number/PO box	n.a.
	3042			an..35	Street and number/PO box	n.a.
	3164		C	an..35	City name	City
	3229			an..9	Country sub-entity identification	n.a.
	3251		C	an..9	Postcode identification	Postal code
	3207		C	an..3	Country	ISO 3166-1 two alpha country code, see Part 2, Chapter 4.2.12
EQD	<b>EQD (V) (1)</b>	1	M		<b>EQUIPMENT DETAILS</b>	Specification of the <b>VESSELS</b> within the convoy (for each vessel 1 segment, also the main vessel), <b>propulsed vessel</b>
	8053		M	an..3	Equipment type code qualifier	'BRY' for vessel participating in the propulsion
	C237		M		EQUIPMENT IDENTIFICATION	
	8260		M	an..17(an7) (an8)	Equipment identification number	Vessel number: 7 digits for OFS or IMO indication, 8 digits for ERN indication and unique European vessel identification number
	1131		M	an..3	Code list qualifier	'OFS' for an official ship number of CCNR system, see Part 2, Chapter 4.2.2 'IMO' for an IMO number, see Part 2, Chapter 4.2.3 'ERN' for an Electronic Reporting International Number, see Part 2, Chapter 4.2.4 'ENI' for a unique European vessel identification number, see Part 2, Chapter 4.2.5
	3055			an..3	Code list responsible agency	n.a.
	3207			an..3	Country	n.a.
	C224		M		EQUIPMENT SIZE AND TYPE	
	8155		M	an..10 (an..4)	Equipment size and type identification, <b>vessel type</b>	Code for ship and convoy types of means of transport from UN/CEFACT Rec. 28, see Part 2, Chapter 4.2.1
	1131			an..3	Code list qualifier	n.a.
	3055			an..3	Code list responsible agency	n.a.
	8154			an..35	Equipment size and type	<b>Name</b> of the vessel. If the name results in more than 35 positions, the name of the vessel is shortened

Table 1: ERI notification message ERINOT

Segment Group	Segment Composite data element (C) Data element TAG	Level	Mandatory Conditional	Format	Name	Description Qualifiers in quotation marks
1	2	3	4	5	6	7
	8077			an..3	Equipment supplier	n.a.
	8249			an..3	Equipment status	n.a.
	8169			an..3	Full/empty indicator	n.a.
EQD	<b>EQD (V) (2 - 15)</b>	1	C		<b>EQUIPMENT DETAILS</b>	Specification of the <b>VESSELS</b> within the convoy (for each vessel 1 segment, also the main vessel) <b>not propelled vessels</b>
	8053		M	an..3	Equipment type code qualifier	'BRN' for vessel not participating in the propulsion
	C237		M		EQUIPMENT IDENTIFICATION	
	8260		M	an..17an7..8)	Equipment identification number	Vessel number: 7 digits for OFS or IMO indication, 8 digits for ERN indication and unique European vessel identification number
	1131		M	an..3	Code list qualifier	'OFS' for an official ship number of the CCNR system, see Part 2, Chapter 4.2.2 'IMO' for an IMO number, see Part 2, Chapter 4.2.3 'ERN' for an electronic reporting number, see Part 2, Chapter 4.2.4 'ENI' for a unique European vessel identification number, see Part 2, Chapter 4.2.5.
	3055			an..3	Code list responsible agency	n.a.
	3207			an..3	Country	n.a.
	C224		M		EQUIPMENT SIZE AND TYPE	
	8155		M	an..10 (an..4)	Equipment size and type identification, <b>vessel type</b>	Code for ship and convoy types of means of transport from UN/CEFACT Rec. 28, see Part 2, Chapter 4.2.1
	1131			an..3	Code list qualifier	n.a.
	3055			an..3	Code list responsible agency	n.a.
	8154			an..35	Equipment size and type	<b>Name</b> of the vessel. If the name results in more than 35 positions, the name of the vessel is shortened
	8077			an..3	Equipment supplier	n.a.
	8249			an..3	Equipment status	n.a.
	8169			an..3	Full/empty indicator	n.a.



Table 1: ERI notification message ERINOT

Segment Group	Segment Composite data element (C) Data element TAG	Level	Mandatory Conditional	Format	Name	Description Qualifiers in quotation marks
1	2	3	4	5	6	7
EQD	MEA (1)	2	M		MEASUREMENTS	Vessel length
	6311		M	an..3	Measurement purpose qualifier	'DIM' for dimension
	C502				MEASUREMENT DETAILS	
	6313			an..3	Property measured	'LEN' for length
	6321			an..3	Measurement significance	n.a.
	6155			an..17	Measurement attribute identification	n.a.
	6154			an..70	Measurement attribute	n.a.
	C174		M		VALUE/RANGE	
	6411		M	an..3	Measurement unit qualifier	'CMT' for centimetre (UN/ECE Rec. 20, Annex 3. Common code)
	6314		M	an..18n5)	Measurement value	Length
	6162			n..18	Range minimum	n.a.
	6152			n..18	Range maximum	n.a.
	6432			n..2	Significant digits	n.a.
	7383			an..3	Surface/layer indicator	n.a.
EQD	MEA (2)	2	M		MEASUREMENTS	Vessel width
	6311		M	an..3	Measurement purpose code qualifier	'DIM' for dimension
	C502				MEASUREMENT DETAILS	
	6313			an..3	Property measured	'WID' for width
	6321			an..3	Measurement significance	n.a.
	6155			an..17	Measurement attribute identification	n.a.
	6154			an..70	Measurement attribute	n.a.
	C174		M		VALUE/RANGE	
	6411		M	an..3	Measurement unit qualifier	'CMT' for centimetre (UN/ECE Rec. 20, Annex 3: Common code)
	6314		M	an..18n4)	Measurement value	Width
	6162			n..18	Range minimum	n.a.
	6152			n..18	Range maximum	n.a.
	6432			n..2	Significant digits	n.a.
	7383			an..3	Surface/layer indicator	n.a.

Table 1: ERI notification message ERINOT

Segment Group	Segment Composite data element (C) Data element TAG	Level	Mandatory Conditional	Format	Name	Description Qualifiers in quotation marks
1	2	3	4	5	6	7
EQD	<b>MEA (3)</b>	2	M		<b>MEASUREMENTS</b>	<b>Vessel draught</b>
	6311		M	an..3	Measurement purpose code qualifier	'DIM' for dimension
	C502				MEASUREMENT DETAILS	Size details
	6313			an..3	Property measured	'DRA' for draught
	6321			an..3	Measurement significance	n.a.
	6155			an..17	Measurement attribute identification	n.a.
	6154			an..70	Measurement attribute	n.a.
	C174		M		VALUE/RANGE	
	6411		M	an..3	Measurement unit qualifier	'CMT' for centimetre (UN/ECE Rec. 20, Common code)
	6314		M	an..18(n4)	Measurement value	Draught
	6162			n..18	Range minimum	n.a.
	6152			n..18	Range maximum	n.a.
	6432			n..2	Significant digits	n.a.
	7383			an..3	Surface/layer indicator	n.a.
EQD	<b>MEA (4)</b>	2	C		<b>MEASUREMENTS</b>	<b>Vessel tonnage</b>
	6311		M	an..3	Measurement purpose code qualifier	<b>'VOL' for volume</b>
	C502				MEASUREMENT DETAILS	Size details
	6313			an..3	Property measured	'AAM' for gross tonnage
	6321			an..3	Measurement significance	n.a.
	6155			an..17	Measurement attribute identification	n.a.
	6154			an..70	Measurement attribute	n.a.
	C174		M		VALUE/RANGE	
	6411		M	an..3	Measurement unit qualifier	'TNE' for metric ton (UN/ECE Rec. 20, Common code)
	6314		M	an..18 (n6)	Measurement value	Tonnage (capacity)
	6162			n..18	Range minimum	n.a.
	6152			n..18	Range maximum	n.a.
	6432			n..2	Significant digits	n.a.
	7383			an..3	Surface/layer indicator	n.a.

Table 1: ERI notification message ERINOT

Segment Group	Segment Composite data element (C) Data element TAG	Level	Mandatory Conditional	Format	Name	Description Qualifiers in quotation marks
1	2	3	4	5	6	7
	<b>EQD (C) (1..15)</b>	1	C		<b>EQUIPMENT DETAILS</b>	Specification of the number of <b>CONTAINERS</b>
	8053		M	an..3	Equipment type code qualifier	'CN' for container
	C237				EQUIPMENT IDENTIFICATION	
	8260			an..17	Equipment identification number	n.a.
	1131			an..3	Code list qualifier	n.a.
	3055			an..3	Code list responsible agency	n.a.
	3207			an..3	Country	n.a.
	C224		M		EQUIPMENT SIZE AND TYPE	
	8155		M	an..10 (an5)	Equipment size and type identification	Container <b>range</b> : 'RNG20' for containers having a length between 20 and 29 feet 'RNG30' for containers having a length between 30 and 39 feet 'RNG40' for containers having a length of 40 feet or more
	1131			an..3	Code list qualifier	n.a.
	3055			an..3	Code list responsible agency	n.a.
	8154			an..35	Equipment size and type	n.a.
	8077			an..3	Equipment supplier	n.a.
	8249			an..3	Equipment status	n.a.
	8169		M	an..3	Full/empty indicator	Container <b>status</b> : '5' for loaded, '4' for empty, '6' for no volume available
EQD	<b>MEA (5)</b>	2	M	<b>EQD(2)</b>	<b>MEASUREMENTS</b>	Specification of the <b>number of containers</b>
	6311		M	an..3 (an2)	Measurement purpose qualifier	'NR' for number
	C502				MEASUREMENT DETAILS	n.a.
	6313			an..3	Property measured	n.a.
	6321			an..3	Measurement significance	n.a.
	6155			an..17	Measurement attribute identification	n.a.
	6154			an..70	Measurement attribute	n.a.

Table 1: ERI notification message ERINOT

Segment Group	Segment Composite data element (C) Data element TAG	Level	Mandatory Conditional	Format	Name	Description Qualifiers in quotation marks
1	2	3	4	5	6	7
	C174		M		VALUE/RANGE	
	6411		M	an..3	Measurement unit qualifier	'NUM' for number (see UN/ECE Rec. 20, common code)
	6314		M	an..18 (n1..4)	Measurement value	Number of containers of the given type and status.
	6162			n..18	Range minimum	n.a.
	6152			n..18	Range maximum	n.a.
	6432			n..2	Significant digits	n.a.
	7383			an..3	Surface/layer indicator	n.a.
CNI	<b>CNI</b>	1	M		<b>CONSIGNMENT INFORMATION</b>	<b>Consignment</b> (similar source/destination) specification of the transported <b>cargo</b>
	1490		M	n..4	Consolidation item number	Sequence number of the consignment. For modifications, the same sequence number is to be used
	C503				DOCUMENT/MESSAGE DETAILS	n.a.
	1004			an..35	Document/message number	n.a.
	1373			an..3	Document/message status, coded	n.a.
	1366			an..70	Document/message source	n.a.
	3453			an..3	Language, coded	n.a.
	1056			an..9	Version	n.a.
	1060			an..6	Revision number	n.a.
	1312			n..4	Consignment load sequence number	n.a.
	<b>HAN(1)</b>	1	D			
	C524		M		HANDLING INSTRUCTIONS	
	4079		M		Handling instructions, coded	Default 'T'
	1131		C		Code list qualifier	n.a.
	3055		C		Code list responsible agency, coded	n.a.
	4078		C		Handling instructions	n.a.
	C218		C		HAZARDOUS MATERIAL	n.a.
	7419		C		Hazardous material class code, identification	n.a.
	1131		C		Code list qualifier	n.a.
	3055		C		Code list responsible agency, coded	n.a.

Table 1: ERI notification message ERINOT

Segment Group	Segment Composite data element (C) Data element TAG	Level	Mandatory Conditional	Format	Name	Description Qualifiers in quotation marks
1	2	3	4	5	6	7
	7418		C		Hazardous material class	n.a.
CNI	<b>DTM (1)</b>	2	C		<b>DATE/TIME/PERIOD</b>	Estimated <b>arrival time</b> at the discharge place
	C507		M		DATE/TIME/PERIOD	
	2005		M	an..3	Date or time or period function code qualifier	'132' for arrival time, estimated
	2380		M	an..35	Date or time period value	Value of arrival time: YYMMDDHHMM
	2379		M	an..3	Date or time or period format code	'201' for YYMMDDHHMM
CNI	<b>DTM (2)</b>	2	C		<b>DATE/TIME/PERIOD</b>	Estimated <b>departure time</b> from the loading place
	C507		M		DATE/TIME/PERIOD	
	2005		M	an..3	Date or time or period function code qualifier	'133' for departure time, estimated
	2380		M	an..35	Date or time period value	Time: YYMMDDHHMM
	2379		M	an..3	Date or time or period format code	'201'
CNI	<b>LOC (1)</b>	2	C		<b>PLACE/LOCATION IDENTIFICATION</b>	Specification of the <b>loading place</b> of the cargo
	3227		M	an..3	Place/location qualifier	'9' for place/port of loading
	C517		M		LOCATION IDENTIFICATION	
	3225		M	an..25 (an5)	Place/location identification	UN/ECE location code (Rec. 16), of the loading place, see Part 2, Chapter 4.2.13
	1131			an..3	Code list qualifier	n.a.
	3055			an..3	Code list responsible agency	n.a.
	3224		C	an..70 (an..17)	Place/location	Full name of the port location
	C519		C		RELATED LOCATION ONE IDENTIFICATION	
	3223		M	an..25 (an..5)	Related place/location one identification	Terminal code, see Part 2, Chapter 4.2.15
	1131			an..3	Code list qualifier	n.a.
	3055			an..3	Code list responsible agency	n.a.
	3222			an..70 (an..17)	Related place/location one	Full name of the terminal

Table 1: ERI notification message ERINOT

Segment Group	Segment Composite data element (C) Data element TAG	Level	Mandatory Conditional	Format	Name	Description Qualifiers in quotation marks
1	2	3	4	5	6	7
	C553		C		RELATED LOCATION TWO IDENTIFICATION	
	3233		M	an..25 (an5)	Related place/location two identification	Fairway section code, see Part 2, Chapter 4.2.14
	1131			an..3	Code list qualifier	n.a.
	3055			an..3	Code list responsible agency	n.a.
	3232		C	an..70 (an..5)	Related place/location two	Fairway section hectometre
	5479			an..3	Relation	n.a.
CNI	<b>LOC (2)</b>	2	C		<b>PLACE/LOCATION IDENTIFICATION</b>	Specification of the <b>discharge place</b> of the cargo
	3227		M	an..3	Place/location qualifier	'11' for place/port of discharge
	C517		M		LOCATION IDENTIFICATION	
	3225		M	an..25 (an5)	Place/location identification	UN/ECE location code (Rec. 16), see Part 2, Chapter 4.2.13
	1131			an..3	Code list qualifier	n.a.
	3055			an..3	Code list responsible agency	n.a.
	3224		C	an..70 (an..17)	Place/location	Full name of the port
	C519		C		RELATED LOCATION ONE IDENTIFICATION	
	3223		M	an..25 (an..5)	Related place/location one identification	Terminal code, see Part 2, Chapter 4.2.15
	1131			an..3	Code list qualifier	n.a.
	3055			an..3	Code list responsible agency	n.a.
	3222		C	an..70 (an..17)	Related place/location one	Full name of terminal
	C553		C		RELATED LOCATION TWO IDENTIFICATION	
	3233		M	an..25 (an5)	Related place/location two identification	Fairway section code, see Part 2, Chapter 4.2.14
	1131			an..3	Code list qualifier	n.a.
	3055			an..3	Code list responsible agency	n.a.
	3232		C	an..70 (an.. 5)	Related place/location two	Fairway section hectometre
	5479			an..3	Relation	n.a.

Table 1: ERI notification message ERINOT

Segment Group	Segment Composite data element (C) Data element TAG	Level	Mandatory Conditional	Format	Name	Description Qualifiers in quotation marks
1	2	3	4	5	6	7
CNI/ NAD	<b>NAD (1)</b>	2	C		<b>NAME AND ADDRESS</b>	<b>Cargo sender name</b>
	3035		M	an..3	Party function code qualifier	'SF' for ship from
	C082		C		PARTY IDENTIFICATION DETAILS	
	3039		M	an..35 (an..25)	Party identifier	EDI number of cargo sender
	1131			an..3	Code list qualifier	n.a.
	3055			an..3	Code list responsible agency	n.a.
	C058				<b>NAME AND ADDRESS</b>	
	3124			an..35	Name and address line	n.a.
	3124			an..35	Name and address line	n.a.
	3124			an..35	Name and address line	n.a.
	3124			an..35	Name and address line	n.a.
	3124			an..35	Name and address line	n.a.
	C080		M		PARTY NAME	
	3036		M	an..35	Party name	Ship from name.
	3036		C	an..35 (an..25)	Party name	Invoice number
	3036			an..35	Party name	n.a.
	3036			an..35	Party name	n.a.
	3036			an..35	Party name	n.a.
	3045			an..3	Party name format, coded	n.a.
	C059				STREET	Street
	3042			an..35	Street and number or post office box	
	3042			an..35	Street and number/PO box	n.a.
	3042			an..35	Street and number/PO box	n.a.
	3042			an..35	Street and number/PO box	n.a.
	3164		M	an..35	City name	
	3229			an..9	Country sub-entity identifica- tion	n.a.
	3251			an..9	Postcode identification	n.a.
	3207			an..3	Country	n.a.
CNI/ NAD	<b>NAD (2)</b>	2	C		<b>NAME AND ADDRESS</b>	<b>Cargo receiver name</b>
	3035		M	an..3	Party function code qualifier	'ST' for ship to
	C082		M		PARTY IDENTIFICATION DETAILS	
	3039		M	an..35 (an..25)	Party identification	EDI number of receiver of cargo

Table 1: ERI notification message ERINOT

Segment Group	Segment Composite data element (C) Data element TAG	Level	Mandatory Conditional	Format	Name	Description Qualifiers in quotation marks
1	2	3	4	5	6	7
	1131			an..3	Code list qualifier	n.a.
	3055			an..3	Code list responsible agency	n.a.
	C058				NAME AND ADDRESS	n.a.
	3124			an..35	Name and address line	n.a.
	3124			an..35	Name and address line	n.a.
	3124			an..35	Name and address line	n.a.
	3124			an..35	Name and address line	n.a.
	3124			an..35	Name and address line	n.a.
	C080		M		PARTY NAME	
	3036		M	an..35	Party name	Ship to name
	3036		C	an..35 (an..25)	Party name	Invoice number
	3036			an..35	Party name	n.a.
	3036			an..35	Party name	n.a.
	3036			an..35	Party name	n.a.
	3045			an..3	Party name format, coded	n.a.
	C059				STREET	Street
	3042			an..35	Street and number/PO box	
	3042			an..35	Street and number/PO box	n.a.
	3042			an..35	Street and number/PO box	n.a.
	3042			an..35	Street and number/PO box	n.a.
	3164		M	an..35	City name	
	3229			an..9	Country sub-entity identification	n.a.
	3251			an..9	Postcode identification	n.a.
	3207			an..3	Country	n.a.
CNI	<b>GID (1..99)</b>	2	M		<b>GOODS ITEM DETAILS</b>	per <b>vessel</b> and per <b>good</b> a new GID segment
	1496		M	n..5	Goods item number	Sequence number of the good within a consignment. Unique within the CNI
	C213				NUMBER AND TYPE OF PACKAGES	
	7224		C	n..8	Number of packages	Default value is '1'
	7065			an..17	Type of packages identification	see Part 2, Chapter 4.2.18
	1131			an..3	Code list qualifier	n.a.



Table 1: ERI notification message ERINOT

Segment Group	Segment Composite data element (C) Data element TAG	Level	Mandatory Conditional	Format	Name	Description Qualifiers in quotation marks
1	2	3	4	5	6	7
	3055			an..3	Code list responsible agency	n.a.
	7064			an..35	Type of packages	n.a.
	7233			an..3	Packaging related information, coded	n.a.
	C213				NUMBER AND TYPE OF PACKAGES	n.a.
	7224			n..8	Number of packages	n.a.
	7065			an..17	Type of packages identification	n.a.
	1131			an..3	Code list qualifier	n.a.
	3055			an..3	Code list responsible agency	n.a.
	7064			an..35	Type of packages	n.a.
	7233			an..3	Packaging related information	n.a.
	C213		C		NUMBER AND TYPE OF PACKAGES	
	7224		M	n..8	Number of packages	Number of inner <b>packages</b>
	7065		M	an..17 (a2)	Type of packages identification	UN/ECE recommendation No 21, see Part 2, Chapter 4.2.18
	1131			an..3	Code list qualifier	n.a.
	3055			an..3	Code list responsible agency	n.a.
	7064			an..35	Type of packages	n.a.
	7233			an..3	Packaging related information	n.a.
CNI/ GID	<b>FTX (1)</b>	3	C		<b>FREE TEXT</b>	<b>Extra goods information</b>
	4451		M	an..3	Text subject code qualifier	'ACB' for additional information
	4453			an..3	Free text function code	n.a.
	C107				TEXT REFERENCE	
	4441			an..17	Free text identification	n.a.
	1131			an..3	Code list qualifier	n.a.
	3055			an..3	Code list responsible agency	n.a.
	C108		M		TEXT LITERAL	
	4440		M	an..70 (an1)	Free text	<b>type of good:</b> 'D' for Dangerous 'N' for Non-dangerous

Table 1: ERI notification message ERINOT

Segment Group	Segment Composite data element (C) Data element TAG	Level	Mandatory Conditional	Format	Name	Description Qualifiers in quotation marks
1	2	3	4	5	6	7
	4440		C	an..70 (n6..10)	Free text	<b>HS code</b> , can be left blank if unknown and good is dangerous, see Annex 4, No 5
	4440		C	an..70 (a1)	Free text	Customs status: 'T' = Third country good 'C' = Communal good 'F' = Good from non-fiscal area 'X' = Good declared for export in a member state
	4440		C	an..70 (an..35)	Free text	Customs document reference <b>number</b> for goods of type 'T', 'F', or 'X'
	4440		C	an..70 (a1)	Free text	Overseas destination 'Y' = with overseas destination 'N' = without an overseas destination
	3453			an..3	Language	n.a.
	4447			an..3	Text formatting	n.a.
CNI/GID	<b>FTX (2)</b>	3	C		<b>FREE TEXT</b>	<b>Goods description of non-dangerous cargo</b>
	4451		M	an..3	Text subject code qualifier	'AAA' for goods description
	4453			an..3	Free text function code	n.a.
	C107				TEXT REFERENCE	n.a.
	4441			an..17	Free text identification	n.a.
	1131			an..3	Code list qualifier	n.a.
	3055			an..3	Code list responsible agency	n.a.
	C108		M		TEXT LITERAL	
	4440		M	<b>an..70</b>	Free text	Goods <b>name</b> of the non-dangerous cargo
	4440		C	an..70 (n6)	Free text value	<b>NST/R code</b> of the non-dangerous cargo. Extended by '00' if only 4 digits are known, and '000' if only 3 digits are known, see Part 2, Chapter 4.2.8.
	4440		C	an..70 (n6..10)	Free text	<b>HS code</b> of the non-dangerous cargo, see Part 2, Chapter 4.2.6
	4440			an..70	Free text	Additional goods description.
	4440			an..70	Free text	n.a.

Table 1: ERI notification message ERINOT

Segment Group	Segment Composite data element (C) Data element TAG	Level	Mandatory Conditional	Format	Name	Description Qualifiers in quotation marks
1	2	3	4	5	6	7
	3453			an..3	Language, coded	n.a.
	4447			an..3	Text formatting	n.a.
CNI/ GID	<b>SGP (1..99)</b>	3	C		<b>SPLIT GOODS PLACEMENT</b>	<b>Specification of the location of the non-dangerous cargo within the means of transport</b>
	C237		M		EQUIPMENT IDENTIFICATION	
	8260		M	an..17 (an7) (an8)	Equipment identification number	<b>Ship number: 7 digits for OFS or IMO indication, 8 digits for ERN indication and unique European vessel identification number</b>
	1131		M	an..3	Code list qualifier	'IMO' for an IMO number, see Annex 4, No 3 'OFS' for a Official Ship Number of CCNR system, see Part 2, Chapter 4.2.2 'ERN' for an Electronic Reporting Number, see Part 2, Chapter 4.2.4 'ENI' for a unique European vessel identification number, see Part 2, Chapter 4.2.5
	3055			an..3	Code list responsible agency	n.a.
	3207			an..3	Country	n.a.
	7224			n..8	Number of packages	n.a.
CNI/ GID/ SGP	<b>MEA</b>	4	M		<b>MEASUREMENTS</b>	<b>Specification of the weight of a non dangerous good on board the vessel</b>
	6311		M	an..3	Measurement purpose qualifier	'WT' for weights
	C502		M		MEASUREMENT DETAILS	
	6313		M	an..3	Property measured	'AAL' for net weight including normal packing
	6321			an..3	Measurement significance	n.a.
	6155			an..17	Measurement attribute identification	n.a.
	6154			an..70	Measurement attribute	n.a.
	C174		M		VALUE/RANGE	
	6411		M	an..3	Measurement unit qualifier	'KGM' for kilogram (UN/ECE Rec. 20)

Table 1: ERI notification message ERINOT

Segment Group	Segment Composite data element (C) Data element TAG	Level	Mandatory Conditional	Format	Name	Description Qualifiers in quotation marks
1	2	3	4	5	6	7
	6314		M	an..18 (n9)	Measurement value	weight in kilogram
	6162			n..18	Range minimum	n.a.
	6152			n..18	Range maximum	n.a.
	6432			an..2	Significant digits	n.a.
	7383			an..3	Surface/layer indicator	n.a.
CNI/ GID/ SGP	<b>MEA</b>	4	C		<b>MEASUREMENTS</b>	<b>Specification of the tonnage of a non dangerous good on board the vessel</b>
	6311		M	an..3	Measurement purpose qualifier	'VOL' for weights
	C502		M		MEASUREMENT DETAILS	
	6313		M	an..3	Property measured	'AAX' The observed volume after adjustment for factors such as temperature or gravity
	6321			an..3	Measurement significance	n.a.
	6155			an..17	Measurement attribute identification	n.a.
	6154			an..70	Measurement attribute	n.a.
	C174		M		VALUE/RANGE	
	6411		M	an..3	Measurement unit qualifier	'TNE' for metric ton (UN/ECE Rec. 20)
	6314		M	an..18 (n9)	Measurement value	Tonnage
	6162			n..18	Range minimum	n.a.
	6152			n..18	Range maximum	n.a.
	6432			an..2	Significant digits	n.a.
	7383			an..3	Surface/layer indicator	n.a.
CNI/ GID	<b>DGS</b>	3	M		<b>DANGEROUS GOODS</b>	<b>Dangerous goods identification</b>
	8273		M	an..3	Dangerous goods regulations	'ANR' for inland vessels (CCNR ADN code) 'IMD' for sea going vessels (IMO IMDG code)
	C205		M		HAZARD CODE	
	8351		M	an..7	Hazard code identification	<b>ADN(R), or IMDG code</b> , see Part 2, Chapter 4.2.10 or 4.2.11
	8078		C	an..7	Additional hazard classification identifier	ADNR danger classification code, see Part 2, Chapter 4.2.11
	8092			an..10	Hazard code version number	n.a.

Table 1: ERI notification message ERINOT

Segment Group	Segment Composite data element (C) Data element TAG	Level	Mandatory Conditional	Format	Name	Description Qualifiers in quotation marks
1	2	3	4	5	6	7
	C234		M		UNDG INFORMATION	
	7124		M	n4	UNDG number	<b>UN number</b> (UNDG code), see Part 2, Chapter 4.2.9
	7088			an..8	Dangerous goods flashpoint	n.a.
	C223		C		DANGEROUS GOODS SHIPMENT FLASHPOINT	
	7106		M	n..3	Shipment flashpoint	<b>Flashpoint</b> of the good transported
	6411		M	an..3	Measure unit qualifier	'CEL' for Celsius 'FAH' for Fahrenheit
	8339		C	an..3	Packing group	'1' for great danger '2' for medium danger '3' for minor danger
	8364		C	an..6	EMS number	Emergency procedures
	8410		C	an..4	MFAG number	Medical first aid guide
	8126			an..10	TREM card number	n.a.
	C235		C		HAZARD IDENTIFICATION PLACARD DETAILS	<b>Placards</b> mandatory for dangerous goods on dry cargo vessels
	8158		M	an..4	Hazard identification number, upper part	see ADN(R)
	8186		M	an..4	Substance identification number, lower part	see ADN(R)
	C236				DANGEROUS GOODS LABEL	n.a.
	8246			an..4	Dangerous goods label marking	n.a.
	8246			an..4	Dangerous goods label marking	n.a.
	8246			an..4	Dangerous goods label marking	n.a.
	8255			an..3	Packing instruction	n.a.
	8325			an..3	Category of means of transport	n.a.
	8211			an..3	Permission for transport	n.a.
CNI/ GID/ DGS	<b>FTX (1)</b>	4	M		<b>FREE TEXT</b>	<b>Dangerous good description</b>
	4451		M	an..3	Text subject code qualifier	'AAD' for dangerous goods, <b>technical name</b>
	4453			an..3	Free text function code	n.a.

Table 1: ERI notification message ERINOT

Segment Group	Segment Composite data element (C) Data element TAG	Level	Mandatory Conditional	Format	Name	Description Qualifiers in quotation marks
1	2	3	4	5	6	7
	C107				TEXT REFERENCE	n.a.
	4441			an..17	Free text identification	n.a.
	1131			an..3	Code list qualifier	n.a.
	3055			an..3	Code list responsible agency	n.a.
	C108		M		TEXT LITERAL	
	4440		M	an..70 (an..50)	Free text	Name of dangerous good ( <b>proper shipping name</b> )
	4440			an..70	Free text value	Additional goods description
	4440			an..70	Free text	n.a.
	4440			an..70	Free text	n.a.
	4440		C	an..70	Free text	n.a.
	3453			an..3	Language	n.a.
	4447			an..3	Text formatting	n.a.
CNI/ GID/ DGS	<b>FTX (2)</b>	4	C		<b>FREE TEXT</b>	<b>Additional information</b>
	4451		M	an..3	Text subject code qualifier	'AAC' for dangerous goods additional information
	4453			an..3	Free text function code	n.a.
	C107				TEXT REFERENCE	
	4441		M	an..17	Free text identification	'SYN' for indication that a synonym follows
	1131			an..3	Code list qualifier	n.a.
	3055			an..3	Code list responsible agency	n.a.
	C108		M		TEXT LITERAL	
	4440		M	an..70 (an..50)	Free text	<b>Synonym</b> of the dangerous good
	4440			an..70	Free text	n.a.
	4440			an..70	Free text	n.a.
	4440			an..70	Free text	n.a.
	4440			an..70	Free text	n.a.
	3453			an..3	Language	n.a.
	4447			an..3	Text formatting	n.a.
CNI/ GID/ DGS	<b>MEA</b>	4	M		<b>MEASUREMENTS</b>	<b>Total weight of the dangerous good within a transport</b>
	6311		M	an..3	Measurement purpose qualifier	'WT' for weights

Table 1: ERI notification message ERINOT

Segment Group	Segment Composite data element (C) Data element TAG	Level	Mandatory Conditional	Format	Name	Description Qualifiers in quotation marks
1	2	3	4	5	6	7
	C502		M		MEASUREMENT DETAILS	
	6313		M	an..3	Property measured	'AAL' for net weight including normal packing
	6321			an..3	Measurement significance, coded	n.a.
	6155			an..17	Measurement attribute identification	n.a.
	6154			an..70	Measurement attribute	n.a.
	C174		M		VALUE/RANGE	
	6411		M	an..3	Measurement unit qualifier	'KGM' for kilogram (UN/ECE Rec. 20)
	6314		M	an..18	Measurement value	Weight of the dangerous good in the consignment
	6162			n..18	Range minimum	n.a.
	6152			n..18	Range maximum	n.a.
	6432			n..2	Significant digits	n.a.
	7383			an..3	Surface/layer indicator	n.a.
CNI/ GID/ DGS	<b>SGP (1..99)</b>	4	M		<b>SPLIT GOODS PLACEMENT</b>	<b>Specification of the location of the goods.</b> If the goods are transported in containers, this segment should contain the identification of the vessel (barge) the container is stowed on.
	C237		M		EQUIPMENT IDENTIFICATION	
	8260		M	an..17 (an7..8)	Equipment identification number	Ship number: 7 digits for OFS or IMO indication, 8 digits for ERN indication and unique European vessel identification number
	1131		M	an..3	Code list qualifier	'OFS' for an Official Ship Number of CCNR system, see Part 2, Chapter 4.2.2 'IMO' for an IMO-number, see Part 2, Chapter 4.2.3 'ERN' for an Electronic Reporting Number, see Part 2, Chapter 4.2.4 'ENI' for a unique European vessel identification number, see Part 2, Chapter 4.2.5
	3055			an..3	Code list responsible agency	n.a.
	3207			an..3	Country	n.a.

Table 1: ERI notification message ERINOT

Segment Group	Segment Composite data element (C) Data element TAG	Level	Mandatory Conditional	Format	Name	Description Qualifiers in quotation marks
1	2	3	4	5	6	7
	7224			n..8	Number of packages	n.a.
CNI/ GID/ DGS/SGP	<b>MEA</b>	5	M		<b>MEASUREMENTS</b>	<b>Total of the goods within the vessel</b>
	6311		M	an..3	Measurement purpose qualifier	'WT' for weights
	C502		M		MEASUREMENT DETAILS	
	6313		M	an..3	Property measured	'AAL' for net weight including normal packing
	6321			an..3	Measurement significance, coded	n.a.
	6155			an..17	Measurement attribute identification	n.a.
	6154			an..70	Measurement attribute	n.a.
	C174		M		VALUE/RANGE	
	6411		M	an..3	Measurement unit qualifier	'KGM' for kilogram (UN/ECE Rec. 20)
	6314		M	an..18	Measurement value	Weight of the goods in the vessel
	6162			n..18	Range minimum	n.a.
	6152			n..18	Range maximum	n.a.
	6432			n..2	Significant digits	n.a.
	7383			an..3	Surface/layer indicator	n.a.
CNI/ GID/ DGS/SGP	<b>MEA</b>	5	C		<b>MEASUREMENTS</b>	<b>Total tonnage of the goods within the vessel</b>
	6311		M	an..3	Measurement purpose qualifier	'VOL' for weights
	C502		M		MEASUREMENT DETAILS	
	6313		M	an..3	Property measured	'AAX' The observed volume after adjustment for factors such as temperature or gravity
	6321			an..3	Measurement significance, coded	n.a.
	6155			an..17	Measurement attribute identification	n.a.
	6154			an..70	Measurement attribute	n.a.
	C174		M		VALUE/RANGE	
	6411		M	an..3	Measurement unit qualifier	'TNE' for metric ton (UN/ECE Rec. 20)
	6314		M	an..18	Measurement value	Tonnage
	6162			n..18	Range minimum	n.a.



Table 1: ERI notification message ERINOT

Segment Group	Segment Composite data element (C) Data element TAG	Level	Mandatory Conditional	Format	Name	Description Qualifiers in quotation marks
1	2	3	4	5	6	7
	6152			n..18	Range maximum	n.a.
	6432			n..2	Significant digits	n.a.
	7383			an..3	Surface/layer indicator	n.a.
CNI/ GID/ DGS	<b>SGP</b>	4	C		<b>SPLIT GOODS PLACEMENT</b>	<b>The location of the goods if in containers.</b> If the goods are transported in containers at least one SGP combination specifying the ship on which the container is stowed shall be specified.
	C237		M		EQUIPMENT IDENTIFICATION	Identification
	8260		M	an..17	Equipment identification number	<b>Container identification</b> code (owner code, identifier, serial number, check digit), see Part 2, Chapter 4.2.17
	1131			an..3	Code list qualifier	n.a.
	3055			an..3	Code list responsible agency	n.a.
	3207			an..3	Country	n.a.
	7224			n..8	Number of packages	n.a.
CNI/ GID/ DGS/ SGP	<b>LOC</b>		C		<b>PLACE/LOCATION IDENTIFICATION</b>	<b>Stowage location</b>
	3227		M	an..3	Place/location qualifier	'147' for stowage cell
	C517		M		LOCATION IDENTIFICATION	
	3225		M	an..25	Place/location identification	'BBBRRTT' for bay/row/tier
	1131			an..3	Code list qualifier	n.a.
	3055			an..3	Code list responsible agency	n.a.
	3224			an..70	Place/location	n.a.
	C519				RELATED LOCATION ONE IDENTIFICATION	n.a.
	3223			an..25	Related place/location one identification	n.a.
	1131			an..3	Code list qualifier	n.a.
	3055			an..3	Code list responsible agency	n.a.
	3222			an..70	Related place/location one	n.a.

Table 1: ERI notification message ERINOT

Segment Group	Segment Composite data element (C) Data element TAG	Level	Mandatory Conditional	Format	Name	Description Qualifiers in quotation marks
1	2	3	4	5	6	7
	C553				RELATED LOCATION TWO IDENTIFICATION	n.a.
		3233		an..25	Related place/location two identification	n.a.
		1131		an 3	Code list qualifier	n.a.
		3055		an..3	Code list responsible agency	n.a.
		3232		an..70	Related place/location two	n.a.
	5479			an 3	Relation	n.a.
CNI/ GID/ DGS/ SGP	<b>MEA</b>	5	M		<b>MEASUREMENTS</b>	<b>Specification of the weight of the good in the container</b>
	6311		M	an..3	Measurement purpose qualifier	'WT' for weights
	C502		M		MEASUREMENT DETAILS	
		6313	M	an..3	Property measured	'AAL' for net weight including normal packing
		6321		an..3	Measurement significance, coded	n.a.
		6155		an..17	Measurement attribute identification	n.a.
		6154		an..70	Measurement attribute	Container type (ISO 6364 chapter 4 and annexes D en E)
	C174		M		VALUE/RANGE	
		6411	M	an..3	Measurement unit qualifier	'KGM' for kilogram (UN/ECE Rec. 20)
		6314	M	an..18	Measurement value	Weight of the good in this container
		6162		n..18	Range minimum	n.a.
		6152		n..18	Range maximum	n.a.
		6432		n..2	Significant digits	n.a.
	7383			an..3	Surface/layer indicator	n.a.
CNI/ GID/ DGS/SGP	<b>MEA</b>	5	C		<b>MEASUREMENTS</b>	<b>Total tonnage of the goods within the vessel</b>
	6311		M	an..3	Measurement purpose qualifier	'VOL' for weights
	C502		M		MEASUREMENT DETAILS	
	6313		M	an..3	Property measured	'AAX' The observed volume after adjustment for factors such as temperature or gravity

Table 1: ERI notification message ERINOT

Segment Group	Segment Composite data element (C) Data element TAG	Level	Mandatory Conditional	Format	Name	Description Qualifiers in quotation marks
1	2	3	4	5	6	7
	6321			an..3	Measurement significance, coded	n.a.
	6155			an..17	Measurement attribute identification	n.a.
	6154			an..70	Measurement attribute	n.a.
	C174		M		VALUE/RANGE	
	6411		M	an..3	Measurement unit qualifier	'TNE' for metric ton (UN/ECE Rec. 20)
	6314		M	an..18	Measurement value	Tonnage
	6162			n..18	Range minimum	n.a.
	6152			n..18	Range maximum	n.a.
	6432			n..2	Significant digits	n.a.
	7383			an..3	Surface/layer indicator	n.a.
	UNT		M		<b>MESSAGE TRAILER</b>	<b>End and control of completeness of the message</b>
	0074		M	n..6	Number of segments in a message	
	0062		M	an..14	Message reference number	First 14 positions of the message reference number
	UNZ		M		<b>INTERCHANGE TRAILER</b>	<b>End and control of the interchange</b>
	0036		M	n..6	Interchange control count	'1' for number of messages contained in the interchange
	0020		M	an..14	Interchange control reference	First 14 positions of the message reference number

#### 1.4. Dummy segments

In some cases, amongst others in the passage message **ERINOT(PAS)**, 'dummy' segments shall be used as part of mandatory groups of segments. For these 'dummy' segments the following rules apply:

CNI group:

- CNI: sequence number: '9999'

CNI/GID group:

- GID: sequence number: '99999'

CNI/GID/DGS group:

- DGS:
  - Class type: 'IMD'
  - Classification: '0.0'

- UNDG number: '0000'
- FTX AAD: good name: 'DUMMY'
- MEA: weight: 0

#### 1.5. Empty vessels

If an empty vessel is reported, the following rules shall apply for the mandatory segment groups:

##### 1. Empty of non-dangerous goods or unknown previous cargo:

CNI group:

- CNI: sequence number: '9999'

CNI/GID group:

- GID: sequence number: '99999'

CNI/GID/DGS group:

- DGS:
  - Class type: 'IMD'
  - Classification: '0.0'
  - UNDG number: '0000'
- FTX AAD: good name: 'DUMMY'
- MEA: weight: 0

##### 2. Empty of dangerous goods (in the case previous dangerous cargo shall be reported):

CNI group:

- CNI: valid sequence number
- LOC: source and destination (current voyage)

CNI/GID group:

- GID: valid sequence number
- FTX ACB: type of good: 'D', HS code of (previous) dangerous good

CNI/GID/DGS group:

- DGS: dangerous goods details (previous cargo)
- FTX AAD: dangerous good name
- MEA: weight: 0
- SGP: details of the empty vessel
- MEA: weight: 0

#### 1.6. Container transport with non-dangerous goods

If containers are transported, the following extra rules shall apply for the mandatory groups if a container does not carry dangerous goods:

CNI group:

- CNI: valid sequence number
- LOC: source and destination

CNI/GID group:

- GID: valid sequence number
- FTX ACB: type of good: 'N', HS code of the good

- FTX AAA, good name, NST/R code of the good, HS code of the good
- SGP: details of the vessel
- MEA: total weight of the non-dangerous good in the vessel

CNI/GID/DGS group:

- DGS:
  - Class type: 'IMD'
  - Classification: '0.0'
  - UNDG number: '0000'
- FTX AAD: good name: 'DUMMY'
- MEA: weight: 0
- SGP group (1):
  - SGP: vessel details
  - MEA: weight of the good in the vessel
- SGP group (2-99):
  - SGP: Container number
  - MEA: weight of the good in the container

This way of entering data for a container loaded with non-dangerous goods follows the way the data for a container with dangerous goods shall be entered. Due to compatibility reasons with previous versions, the vessel details are entered twice.

#### 1.7. Containers with unknown details on the goods or empty containers

If containers are transported where the details of the goods in the containers are not known, or empty containers are transported, the following extra rules shall apply:

EQD group:

- EQD: container range
- MEA: number of containers in the given range

CNI group:

- CNI: valid sequence number
- LOC: source and destination

CNI/GID group:

- GID: valid sequence number
- FTX ACB: type of good: 'N', HS code
- FTX AAA: good name, NST/R code, HS code
- SGP: details of the vessel
- MEA: total weight of the containers in the given range

CNI/GID/DGS group:

dummy group

Depending on the range of containers the following codes shall be used:

	HS code	NST/R code
Containers 20 ft empty	8609000002	991001
Containers 30 ft empty	8609000004	991002
Containers 40 ft empty	8609000003	991003
Containers 20 ft loaded	8609000007	991004
Containers 30 ft loaded	8609000008	991005
Containers 40 ft loaded	8609000009	991006

### 1.8. Exchanging information between RIS authorities

When exchanging information between RIS authorities, a passage message type shall be used by specifying 'PAS' in the BGM segment (element 1001).

In this PAS message the following information regarding the voyage shall be included:

- BGM element 1001 = 'PAS'.
- TDT group:
  - LOC(1), type '5' = Place of departure.
  - LOC(2), type '172' = Passage point.
  - LOC(9), type '186' = Place of destination (first port where transport is bound).
  - DTM(2), type '186' = Passage time of LOC(2).
  - DTM(3), type '132' = ETA of LOC(9) only if available.
- CNI groups with all the (known) cargo onboard.

The CNI group can be empty only if it is a passage message notifying another (local) party of the last position/passage point of that vessel.

### 1.9. Cancelling a notification

When cancelling a notification the following information shall be specified:

- BGM element 1225 = '1'.
  - RFF(ACW) element 1154 shall refer to the last message sent.
  - All other segments (TDT, CNI etc) shall contain the same information as specified in the last notification message sent.
-

## Appendix 2

**Passenger and crew list — (PAXLST)**

## TABLE OF CONTENTS

1.	UN/EDIFACT standard message PAXLST .....	87
1.1.	Functional definition .....	87
1.2.	Field of application .....	87
2.	Message structure .....	88
2.1.	Branching diagram .....	88
2.2.	Segment table .....	89
2.3.	Passenger/Crew list message format .....	89

## 1. UN/EDIFACT STANDARD MESSAGE PAXLST

The passenger respectively crew list notification is based on the UN/EDIFACT message PAXLST.

1.1. **Functional definition**

The Passenger/Crew list message (PAXLST) permits the transfer of passenger and/or crew data. The message shall be used for the exchange of data in inland navigation between the captain/skipper or carrier and designated authorities such as ISPS terminals, customs, immigration, police.

The message shall be also used to transfer passenger/crew data from a designated authority in the country of departure to the appropriate authorities in the country of arrival of the means of transport.

1.2. **Field of application**

The Passenger list message can be used for both national and international applications. It is based on general practice in administration, commerce and transport, and it is not dependent on the type of business or industry. The message is not dependent on the mode of transport. The basic concept of the PAXLST message is that there is one message for all crew members for a specified ship on a specified voyage, and another message for the passengers on that voyage whilst also possible stowaways can be reported through a separate message. The messages may be transmitted separately or combined into one transmission.

In accordance with IMO FAL Form 5 Crew list, maritime authorities shall not require more than the following information:

- Name and nationality of ship (country/area of registration)
- Family name
- Given names

- Nationality
- Rank or rating
- Date and place of birth
- Nature and number of identity document
- Port and date of arrival
- Arriving from

In accordance with the requirements of the competent authorities in inland shipping the following information shall be also required:

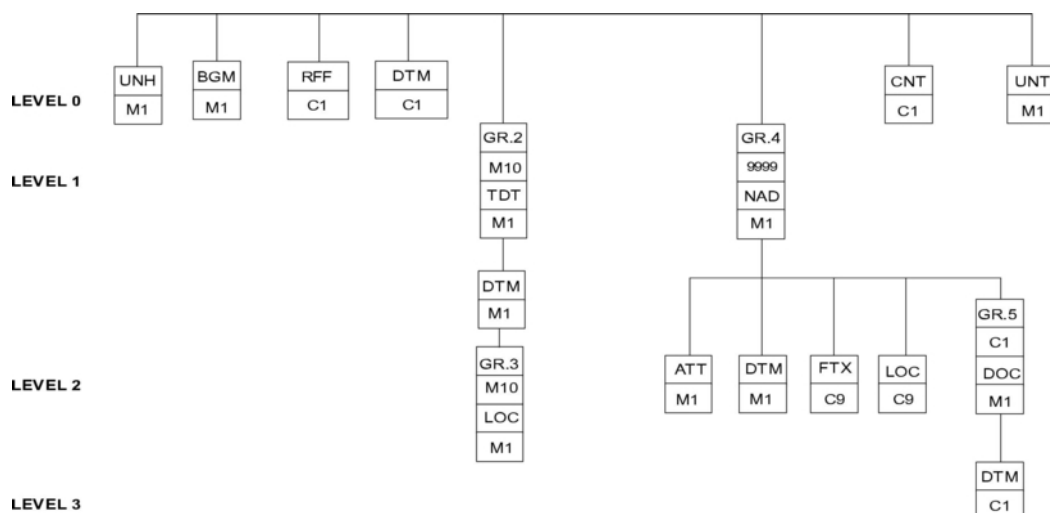
- Names of visitors to a vessel
- Licence plates of the vehicles
- Exact place and time of boarding and going ashore
- Required services such as deliveries, stores and spares
- Names of repair people together with company name
- Changes of crew
- Children of the crew.

All these details can be exchanged through the PAXLST message.

## 2. MESSAGE STRUCTURE

The structure for implementation of the crew or passenger list notification message is as follows:

### 2.1. Branching diagram





## 2.2. Segment table

Tag	Name	S	R	ERI
UNH	Message header	M	1	M 1
BGM	Beginning of message	M	1	M 1
RFF	Reference	C	1	C 1
DTM	Date/time/period	C	9	C 1
	•••Segment Group 2•••	••••••••••	M	10••• M• 1•• ••• •••
TDT	Details of transport	M	1	M 1 •
DTM	Date/time/period	M	1	M 1 •
	•••Segment Group 3•••	••••••••••	C	99••• M• 10• ••• •••
LOC	Place/location identification	M	1••••	M• 1•• ••• •••
	•••Segment Group 4•••	••••••••••	C	99999• C 9999 ••• •••
NAD	Name and address	M	1	M 1 •
ATT	Attribute	C	9	M 1 •
DTM	Date/time/period	C	9	M 1 •
FTX	Free text	C	9 9	C 9
LOC	Place/location identification	C	2 5	C 9 •
	•••Segment Group 5•••	••••••~••••••	C	5•••• C• 1•• ••• •••
DOC	Document/message details	M	1	M 1 • •
DTM	Date/time/period	C	1••••	C• 1•• ••• •••
CNT	Control total	C	1	C 1
AUT	Authentication result	C	1	C 1
UNT	Message trailer	M	1	M 1

It is possible to transmit up to three messages dealing with one voyage and one means of transport.

The three messages being:

- stowaway list
- crew list
- passenger list

## 2.3. Passenger/Crew list message format

Segment Group	Segment Composite data element(C) Data element TAG	Level	Mandatory Conditional	Format	Names	Description Qualifiers in quotation marks
1	2	3	4	5	6	7
	<b>UNA</b>	<b>0</b>	<b>C</b>		<b>Service String Advice</b>	
			<b>M</b>	<b>an1</b>	Component data element separator	:
			<b>M</b>	an1	Segment Tag and Data element separator	+
			<b>M</b>	an1	Decimal notation	.

Segment Group	Segment Composite data element(C) Data element TAG	Level	Mandatory Conditional	Format	Names	Description Qualifiers in quotation marks
1	2	3	4	5	6	7
			<b>M</b>	an1	Release indicator	?
			<b>M</b>	an1	Reserved future use	space
			<b>M</b>	an1	Segment terminator	'
					<b>Advised string: UNA:+.? '</b>	6 characters
	<b>UNB</b>	<b>0</b>	<b>M</b>		<b>Interchange header</b>	
	S001		<b>M</b>		SYNTAX IDENTIFIER	
	0001		<b>M</b>	a4	Syntax identifier	'UNOC' Controlling agency
	0002		<b>M</b>	n1	Syntax version number	'2'
	S002		<b>M</b>		INTERCHANGE SENDER	
	0004		<b>M</b>	an..35 (an25)	Sender identification	Mailbox number or unique name
	0007			an..4	Partner identification code qualifier	n.a.
	0008			an..14	Address for reverse routing	n.a.
	S003		<b>M</b>		INTERCHANGE RECIPIENT	
	0010		<b>M</b>	an..35 (an25)	Recipient identification	Mailbox number or unique name
	0007		<b>C</b>	an..4	Partner identification code qualifier	n.a.
	0014		<b>C</b>	an..14	Routing address	n.a.
	S004		<b>M</b>		DATE/TIME OF PREPARATION	
	0017		<b>M</b>	n6	Date	Generation date, YYMMDD
	0019		<b>M</b>	n4	Time	Generation time, HHMM
	0020		<b>M</b>	an..14	Interchange reference identification.	First 14 positions of the message reference number
	S005		<b>C</b>		RECIPIENTS REFERENCE, PASSWORD	n.a.
	0022			an..14	Recipient's reference/password	n.a.
	0025			an2	Recipient's reference, password qualifier	n.a.
	0026			an..14		Application reference
	0029			a1		Processing priority code
	0031		<b>C</b>	C	n1	Acknowledgement request
	0032				an..35	Communications agreement id
	0035			C	n1	Test indicator

Segment Group	Segment Composite data element(C) Data element TAG	Level	Mandatory Conditional	Format	Names	Description Qualifiers in quotation marks
1	2	3	4	5	6	7
	<b>UNH</b>		<b>M</b>		<b>MESSAGE HEADER</b>	Identification, specification and heading of a message
	0062		<b>M</b>	an..14	Message reference number	First 14 positions of the message number
	S009		<b>M</b>		MESSAGE IDENTIFIER	Message identification
	0065		<b>M</b>	an..6	Message type	'PAXLST', message type
	0052		<b>M</b>	an..3	Message version number	'D', message version number
	0054		<b>M</b>	an..3	Message release number	'05A', message release number
	0051		<b>M</b>	an..2	Controlling agency	'UN', controlling agency
	0057		<b>M</b>	an..6	Association assigned code	'ERI10', association assigned code
	0068			an..35	Common access reference	Common access reference Reference to all messages related to one common file
	S010				STATUS OF THE TRANSFER	Transfer status
	0070			n..2	Sequence of transfers	n.a.
	0073			a1	First and last transfer	n.a.
	<b>BGM</b>	<b>0</b>	<b>M</b>		DOCUMENT/MESSAGE NAME	<b>Identification of the type and function of the message</b>
	C002				Document/message name code	Message name
	1001		<b>M</b>	an..3	Code list qualifier	Message type: '250' crew list '745' passenger list '10' stowaway list
	1131			an..17	Code list responsible agency	n.a.
	3055			an..3	Document/message name	n.a.
	1000		<b>M</b>	an..35	DOCUMENT/MESSAGE IDENTIFICATION	Document name: 'CREW LIST' 'PASSENGER LIST' 'STOWAWAY LIST' (one PAXLST contains one document)

Segment Group	Segment Composite data element(C) Data element TAG	Level	Mandatory Conditional	Format	Names	Description Qualifiers in quotation marks
1	2	3	4	5	6	7
	1004		<b>C</b>	an..35	Document identifier	(an14) message reference number
	1056			an..9	Version	version identifier
	1060			an..6	Revision number	revision identifier
	1225		<b>C</b>	an..3	Message function code	message function code '9' = new message '5' = modification message
	4343			an..3	Response type code	n.a.
	<b>RFF</b>	<b>0</b>	<b>C</b>		<b>REFERENCE</b>	<b>Reference to the message which is changed, mandatory if the message is a modification message</b>
	C506		<b>M</b>		REFERENCE	Reference
	1153		<b>M</b>	an..3	Reference qualifier	'ACW'
	1154		<b>M</b>	an..35	Reference number	(an14) message reference number of the BGM, tag 1004 of the message the current message refers to
	1156			an..6	Line number	n.a.
	4000			an..35	Reference version number	n.a.
	1060			an..35	Revision number	n.a.
	<b>DTM</b>	<b>0</b>	<b>M</b>		<b>DATE/TIME/PERIOD</b>	
	C507		<b>M</b>		DATE/TIME/PERIOD	Date/time/period
	2005		<b>M</b>	an..3	Date or time or period function code qualifier	'184' Notification date
	2380		<b>M</b>	an..35	Date or time period value	Time: CCYYMMDD
	2379		<b>M</b>	an..3	Date or time or period format code	'102'
	<b>TDT</b>	<b>0</b>	<b>M</b>		<b>Specification of the means of transport</b>	Specification of the means of transport, the <b>naming vessel within a convoy</b> (a single vessel without barge is also a convoy in this context)
	8051		<b>M</b>	an..3	'20' (main transport)	Transport stage code qualifier
	8028			an..17	Conveyance reference number	Voyage number, defined by sender of the message

Segment Group	Segment Composite data element(C) Data element TAG	Level	Mandatory Conditional	Format	Names	Description Qualifiers in quotation marks
1	2	3	4	5	6	7
	C220				Transport modality	
	8067			an..3	Mode of transport, coded	'8' for inland water transport, '1' for maritime transport (see UN/ECE Rec. 19)
	8066			an..17	n.a.	
	C228				Type of means of transport identification, <b>convoy type</b>	Code for ship and convoy types of means of transport from UN/CEFACT Rec. 28, see Part 2, Chapter 4.2.1
	8179			an..8	n.a.	
	8178			an..17	n.a.	
	C040				Carrier	
	3127			an..17	n.a.	
	1131			an..17	n.a.	
	3055			an..3	n.a.	
	3128			an..35	n.a.	
	8101			an..3	n.a.	
	C401				Additional transport information	
	8457			an..3	n.a.	
	8459			an..3	n.a.	
	7130			an..17	n.a.	
	C222				Transport identification	
	8213		<b>M</b>	an..9	ID. of means of transport identification	Vessel <b>number</b> : 7 digits for OFS or IMO indication, 8 digits for ERN indication and unique European vessel identification number
	1131			an..17	Code list qualifier	'OFS' for a official ship number of CCNR system, see Part 2, Chapter 4.2.2 'IMO' for an IMO number, see Part 2, Chapter 4.2.3 'ERN' for all other ships (electronic reporting international number), see Part II, Chapter 4.2.4 'ENI' for a unique European vessel identification number, see Part 2, Chapter 4.2.5
	3055			an..3	n.a.	
	8212		<b>M</b>	an..35	Name of the vessel	<b>Name of the ship</b> . If the name results in more than 35 positions, the name of the vessel is shortened.

Segment Group	Segment Composite data element(C) Data element TAG	Level	Mandatory Conditional	Format	Names	Description Qualifiers in quotation marks
1	2	3	4	5	6	7
	8453		<b>D</b>	an..3	(an2) Nationality, ISO 3166 country code	ISO two-alpha country code 3166-1, see Part 2, Chapter 4.2.12 Dependency note. If the nationality of the inland vessel is not available the code for the country or area of registration should be stated here in line with the ENI number specifications.
	8281			an..3	n.a.	
<b>TDT</b>	<b>DTM</b>	<b>1</b>	<b>M</b>	<b>TDT(20)</b>	<b>Estimated time of arrival/departure</b>	
	C507				Date/time/period	
	2005		<b>M</b>	an..3	Date or time or period function code qualifier	'132' for arrival '133' for departure
	2380		<b>M</b>	an..35	Date or time period value	Given in the local time of the place of arrival
	2379		<b>M</b>	an..3	Date or time or period format code	'203' for CCYYMMDDH-HMM
<b>TDT</b>	<b>LOC</b>	<b>1</b>	<b>M</b>		<b>PLACE/LOCATION IDENTIFICATION</b>	<b>Port of departure</b> , the port where the transport starts
	3227		<b>M</b>	an..3	Place/location qualifier	'5'place of departure
	C517		<b>M</b>		LOCATION IDENTIFICATION	
	3225		<b>M</b>	an..25 (an5)	Place/location identification	UN/ECE location code (Rec. 16), see Part 2, Chapter 4.2.13
	1131			an..3	Code list qualifier	n.a.
	3055			an..3	Code list responsible agency	n.a.
	3224		<b>C</b>	an..70 (an..17)	Place/location	Full name of the port location
	C519		<b>C</b>		RELATED LOCATION ONE IDENTIFICATION	
	3223		<b>M</b>	an..25 (an..5)	Related place/location one identification	Terminal code, Part 2, Chapter 4.2.15
	1131			an..3	Code list qualifier	n.a.
	3055			an..3	Code list responsible agency	n.a.
	3222			an..70	Related place/location one	Full name of the terminal
	C553		<b>C</b>		RELATED LOCATION TWO IDENTIFICATION	

Segment Group	Segment Composite data element(C) Data element TAG	Level	Mandatory Conditional	Format	Names	Description Qualifiers in quotation marks
1	2	3	4	5	6	7
	3233		<b>M</b>	an..25 (an5)	Related place/location two identification	Fairway section code, see Part 2, Chapter 4.2.14
	1131			an..3	Code list qualifier	
	3055			an..3	Code list responsible agency	n.a.
	3232		<b>C</b>	an..70 (an..5)	Related place/location two	Fairway section hectometre
	5479			an..3	Relation	n.a.
<b>TDT</b>	<b>LOC</b>	<b>1</b>	<b>M</b>		<b>PLACE/LOCATION IDENTIFICATION</b>	<b>Last port of call</b>
	3227		<b>M</b>	an..3	Place/location qualifier	'125'
	C517		<b>M</b>		LOCATION IDENTIFICATION	
	3225		<b>M</b>	an..25 (an5)	Place/location identification	UN/ECE location code (Rec. 16), see Part 2, Chapter 4.2.13
	1131			an..3	Code list qualifier	n.a.
	3055			an..3	Code list responsible agency	n.a.
	3224		<b>C</b>	an..70 (an..17)	Place/location	Full name of the port location
	C519		<b>C</b>		RELATED LOCATION ONE IDENTIFICATION	
	3223		<b>M</b>	an..25 (an..5)	Related place/location one identification	Terminal code, see Part 2, Chapter 4.2.15
	1131			an..3	Code list qualifier	n.a.
	3055			an..3	Code list responsible agency	n.a.
	3222			an..70	Related place/location one	Full name of the terminal
	C553		<b>C</b>		RELATED LOCATION TWO IDENTIFICATION	
	3233		<b>M</b>	an..25 (an5)	Related place/location two identification	Fairway section code, see Part 2, Chapter 4.2.14
	1131			an..3	Code list qualifier	
	3055			an..3	Code list responsible agency	n.a.
	3232		<b>C</b>	an..70 (an..5)	Related place/location two	Fairway section hectometre
	5479			an..3	Relation	n.a.

Segment Group	Segment Composite data element(C) Data element TAG	Level	Mandatory Conditional	Format	Names	Description Qualifiers in quotation marks
1	2	3	4	5	6	7
<b>TDT</b>	<b>LOC</b>	<b>1</b>	<b>M</b>		<b>PLACE/LOCATION IDENTIFICATION</b>	<b>Port of arrival</b>
	3227		<b>M</b>	an..3	Place/location qualifier	'60'
	C517		<b>M</b>		LOCATION IDENTIFICATION	
	3225		<b>M</b>	an..25 (an5)	Place/location identification	UN/ECE location code (Rec. 16), see Part 2, Chapter 4.2.13
	1131			an..3	Code list qualifier	n.a.
	3055			an..3	Code list responsible agency	n.a.
	3224		<b>C</b>	an..70 (an..17)	Place/location	Full name of the port location
	C519		<b>C</b>		RELATED LOCATION ONE IDENTIFICATION	
	3223		<b>M</b>	an..25 (an..5)	Related place/location one identification	Terminal code, see Part 2, Chapter 4.2.15
	1131			an..3	Code list qualifier	n.a.
	3055			an..3	Code list responsible agency	n.a.
	3222			an..70	Related place/location one	Full name of the terminal
	C553		<b>C</b>		RELATED LOCATION TWO IDENTIFICATION	
	3233		<b>M</b>	an..25 (an5)	Related place/location two identification	Fairway section code, see Part 2, Chapter 4.2.14
	1131			an..3	Code list qualifier	
	3055			an..3	Code list responsible agency	n.a.
	3232		<b>C</b>	an..70 (an..5)	Related place/location two	Fairway section hectometre
	5479			an..3	Relation	n.a.
	<b>NAD</b>	<b>0</b>	<b>M</b>		<b>NAME and ADDRESS</b>	<b>Name and address details of person</b>
	3035		<b>M</b>	an..3	Party function code qualifier	Name type: 'FM' for crew member 'FL' for passenger 'BV' for stowaway persons
	C082		<b>C</b>		PARTY IDENTIFICATION DETAILS	Name identification
	3039			an..35	Party identification	Code or textual description of the relation



Segment Group	Segment Composite data element(C) Data element TAG	Level	Mandatory Conditional	Format	Names	Description Qualifiers in quotation marks
1	2	3	4	5	6	7
	1131			an..17	Code list qualifier	n.a.
	3055			an..3	Code list responsible agency	n.a.
	C058		<b>M</b>		NAME AND ADDRESS	n.a.
	3124		<b>M</b>	an..35	Name and address line	Family name
	3124		<b>M</b>	an..35	Name and address line	Given names
	3124		<b>C</b>	an..35	Name and address line	Prefix (gender)
	3124			an..35	Name and address line	n.a.
	3124			an..35	Name and address line	n.a.
	C080		<b>C</b>		PARTY NAME	
	3036			an..35	Party name	n.a.
	3036			an..35	Party name	n.a.
	3036			an..35	Party name	n.a.
	3036			an..35	Party name	n.a.
	3036			an..35	Party name	n.a.
	3036			an..35	Party name	n.a.
	3045			an..3	Party name format, coded	n.a.
	C059		<b>C</b>		STREET	
	3042		<b>C</b>	an..35	Street and number/PO box	Street and number or post office box
	3042			an..35	Street and number/PO box	n.a.
	3042			an..35	Street and number/PO box	n.a.
	3042			an..35	Street and number/PO box	n.a.
	3164		<b>C</b>	an..35	City name	City
	C819		<b>C</b>		Country sub-entity identification	n.a.
	3229		<b>C</b>	an..9	Postcode identification	Postal identification code
	1131		<b>C</b>	an..17	Country	ISO 3166-1 two alpha country code, see Part 2, Chapter 4.2.12
	3055			an..3	n.a.	
	3228			an..70	n.a.	
	3251		<b>C</b>	an..17	postal code	
	3207		<b>M</b>	an..3	(an2) nationality, ISO3166 country code	
	<b>ATT</b>		<b>C</b>	<b>NAD</b>	<b>Rank/title</b>	<b>Rank/title</b>
	9017		<b>M</b>	an..3	Attribute function qualifier	'5' Professional title '1' Crewmember
	C955		<b>C</b>		Attribute type	
	9021			an..17	Attribute type, coded	

Segment Group	Segment Composite data element(C) Data element TAG	Level	Mandatory Conditional	Format	Names	Description Qualifiers in quotation marks
1	2	3	4	5	6	7
	1131			an..17	n.a.	
	3055			an..3	n.a.	
	9020			an..70	n.a.	
	C956		<b>C</b>		Attribute detail	
	9019			an..17	n.a.	
	1131			an..17	n.a.	
	3055			an..3	n.a.	
	9018		<b>M</b>	an..256	Attribute detail	Rank/title name e.g. Chief officer/
<b>NAD</b>	<b>DTM</b>	<b>1</b>	<b>M</b>	<b>NAD</b>	<b>DATE/TIME/PERIOD</b>	<b>Date of birth</b>
	C507				Date/time/period	Date/time/period
	2005		<b>M</b>	an..3	Date or time or period function code qualifier	'329'
	2380		<b>M</b>	an..35	Date or time period value	Date: CCYYMMDD
	2379		<b>M</b>	an..3	Date or time or period format code	'102'
<b>NAD</b>	<b>FTX</b>	<b>1</b>	<b>C</b>	<b>NAD</b>	<b>Free text</b>	General information
	4451		<b>M</b>	an..3	Text subject qualifier	Text subject type 'AAI' General Information
	4453			an..3	Text function, coded	
	C107		<b>C</b>		Text reference	
	4441		<b>M</b>	an..17	Free text, coded	Call information related to boarding of persons. General information on the call of the vessel.
	1131			an..17	Code list qualifier	
	3055			an..3	Code list responsible agency, coded	
	C108		<b>C</b>		Text literal	
	4440		<b>C</b>	an..512	Free text	License number vehicle
	4440		<b>C</b>	an..512	Free text	Visitor
	4440			an..512	Free text	Company Name of service provider and other details
	4440			an..512	Free text	Names and duration of visit of the visiting children
	4440			an..512	Free text	
	3453			an..3	Language, coded.	
	4447			an..3	Text formatting, coded	

Segment Group	Segment Composite data element(C) Data element TAG	Level	Mandatory Conditional	Format	Names	Description Qualifiers in quotation marks
1	2	3	4	5	6	7
<b>NAD</b>	<b>LOC</b>		<b>M</b>	NAD	<b>PLACE/LOCATION IDENTIFICATION</b>	Place of birth
	3227		<b>M</b>	an..3	Place/location qualifier	'180'
	C517				LOCATION IDENTIFICATION	
	3225		<b>C</b>	an..25	Place/location identification	ISO 3166-1 two alpha country code, see Part 2, Chapter 4.2.12
	1131			an..17	Code list qualifier	
	3055			an..3	Code list responsible agency	
	3224		<b>M</b>	an..256	Place/location	Place of birth
	C519		<b>C</b>		RELATED LOCATION ONE IDENTIFICATION	
	3223			an..25	Related place/location one identification	
	1131			an..17	Code list qualifier	
	3055			an..3	Code list responsible agency	
	3222			an..70	Related place/location one	
	C553				RELATED LOCATION TWO IDENTIFICATION	
	3233			an..25	Related place/location two identification	
	1131			an..17	Code list qualifier	
	3055			an..3	Code list responsible agency	
	3232			an..70	Related place/location two	
	5479			an..3	Relation	
<b>NAD</b>	<b>DOC</b>	<b>1</b>	<b>M</b>	<b>NAD</b>	<b>Travel document details</b>	<b>Travel document details</b>
	C002		<b>M</b>		Document/message name	Document/message name
	1001		<b>M</b>	n..3	Document/message name, coded	Document type: '39' Passport '36' Identity card 'SMB' Seaman's book
	1131			an..17	Code list qualifier	
	3055			an..3	Code list responsible agency, coded	
	1000			an..35	Document name	
	C503				Document/message details	

Segment Group	Segment Composite data element(C) Data element TAG	Level	Mandatory Conditional	Format	Names	Description Qualifiers in quotation marks
1	2	3	4	5	6	7
	1004		<b>M</b>	an..35	Document/message number	Document identifier
	1373			an..3	Document/message status, coded	
	1366			an..70	Document/message source	
	3453			an..3	Language, coded	
	1056			an..9	Version	
	1060			an..6	Revision number	
	3153			an..3	Communication channel identifier, coded	
	1220			n..2	Number of copies of document required	
	1218			n..2	Number of originals of document required	
<b>DOC</b>	<b>DTM</b>	<b>2</b>	<b>C</b>	<b>DOC</b>	<b>DATE/TIME/PERIOD</b>	<b>Expiration date</b>
	C507				Date/time/period	Date/time/period
	2005		<b>M</b>	an..3	Date or time or period function code qualifier	'192'
	2380		<b>M</b>	an..35	Date or time period value	Date: YYMMDD
	2379		<b>M</b>	an..3	Date or time or period format code	'101'
	<b>AUT</b>	<b>0</b>	<b>C</b>		<b>Authentication result</b>	<b>Authentication result</b>
	9280		<b>M</b>	an..35	Validation result value	Validation result value
	9282		<b>C</b>	an..35	Validation key identifier	Validation key identifier
	<b>UNT</b>	<b>0</b>	<b>M</b>		<b>End and control of completeness of the message</b>	
	0074		<b>M</b>	n..6	Number of segments in the message	
	0062		<b>M</b>	an..14	First 14 positions of the message reference number	
	<b>UNZ</b>		<b>M</b>		<b>INTERCHANGE TRAILER</b>	<b>End and control of the interchange</b>
	0036		<b>M</b>	n..6	Interchange control count	'1' for number of messages contained in the interchange
	0020		<b>M</b>	an..14	Interchange control reference	First 14 positions of the message reference number

## Appendix 3

**ERINOT response and receipt message (APERAK) — ERIRSP**

## TABLE OF CONTENTS

1.	APERAK general response and receipt message .....	101
1.1.	Field of application .....	101
1.2.	Principles .....	101
2.	ERI response message ERIRSP .....	101
2.1.	Segment table .....	102
2.2.	ERIRSP message structure .....	102
3.	Error codes .....	108

## 1. APERAK GENERAL RESPONSE AND RECEIPT MESSAGE

This message shall be used to provide where required answering and response functions to send messages.

The function of this message is:

- (a) to inform a message issuer that his message has been received by the addressee's application and has been rejected due to errors encountered during its processing in the application;
- (b) to acknowledge to a message issuer the receipt of his message by the addressee's application.

1.1. **Field of application**

The application error and acknowledgement message can be used for both national and international applications. It is based on business practices related to administration and transport, and is not dependent on the type of business or industry.

1.2. **Principles**

A message shall be first controlled at system level (CONTRL) to detect syntax errors and to acknowledge its receipt. It shall be then transmitted to the application process to be processed.

If an error is detected at the application level, which prevents its complete processing, an APERAK message shall be sent to the original message issuer providing details of the error(s) encountered. In case of application error, the APERAK message processed manually, e.g. when the underlying reason is a programming error. If no error has been detected and when an acknowledgement is necessary (when no dedicated answer to the original message exists) an APERAK message shall be sent specifying the reasons of acknowledgement.

In case of acknowledgement the APERAK message shall be automatically or manually processed at recipient's discretion.

## 2. ERI RESPONSE MESSAGE ERIRSP

The ERIRSP message is derived from the UN/EDIFACT APERAK message. The response messages to the functions (new, modification or cancellation) of the notification message ERINOT have all the same structure. The response to a 'modification' or a 'cancellation' contains information whether or not the 'modification' or 'cancellation' has been processed by the receiving system. A response is required only if the NAD (1)/COM segment, with qualifier 'EI', contains the mailbox number, or with qualifier 'EM', contains the e-mail address where the response is to be returned to.

## 2.1. Segment table

Pos	Tag	Name	S	R
0010	<u>UNH</u>	Message header	M	1
0020	<u>BGM</u>	Beginning of message	M	1
0030	<u>DTM</u>	Date/time/period	C	9
0040	<u>FTX</u>	Free text	C	9
0050	<u>CNT</u>	Control total	C	9
0060		*****Segment group 1*****	C	9
0070	<u>REF</u>	Reference	M	1
0080	<u>DTM</u>	Date/time/period	C	9
0090		*****Segment group 2*****	C	9
0100	<u>NAD</u>	Name and address	M	1
0110	<u>CTA</u>	Contact information	C	9
0120	<u>COM</u>	Communication contact	C	9
0130		*****Segment group 3*****	C	9
0140	<u>ERC</u>	Application error information	M	1
0150	<u>FTX</u>	Free text	C	9
0160		*****Segment group 4*****	C	9
0170	<u>RFF</u>	Reference	M	1
0180	<u>FTX</u>	Free text	C	9
0190	<u>UNT</u>	Message trailer	M	1

## 2.2. ERIRSP message structure

Table 2 defines the segments of the ERI response messages.

Table 2: ERI response message ERIRSP

Segment Group	Segment Composite data element (C) Data element TAG	Level	Mandatory Conditional	Format	Name	Description Qualifiers in quotation marks
1	2	3	4	5	6	7
	<b>UNB</b>	0	M		<b>INTERCHANGE HEADER</b>	
	S001		M		SYNTAX IDENTIFIER	
	0001		M	a4	Syntax identifier	'UNOA' Controlling agency
	0002		M	n1	Syntax version number	'2'
	S002		M		INTERCHANGE SENDER	
	0004		M	an..35 (an25)	Sender identification	Mailbox number or unique name
	0007			an..4	Partner identification code qualifier	n.a.
	0008			an..14	Address for reverse routing	n.a.

Table 2: ERI response message ERIRSP

Segment Group	Segment Composite data element (C) Data element TAG	Level	Mandatory Conditional	Format	Name	Description Qualifiers in quotation marks
1	2	3	4	5	6	7
	S003		M		INTERCHANGE RECIPIENT	
	0010		M	an..35 (an25)	Recipient identification	Mailbox number or unique name
	0007			an..4	Partner identification code qualifier	n.a.
	0014			an..14	Routing address	n.a.
	S004		M		DATE/TIME OF PREPARATION	
	0017		M	n6	Date	Generation date, YYMMDD
	0019		M	n4	Time	Generation time, HHMM
	0020		M	an..14	Interchange control reference	First 14 positions of the message reference number
	S005				RECIPIENTS REFERENCE, PASSWORD	
	0022			an..14	Recipient's reference/password	n.a.
	0025			an2	Recipient's reference, password qualifier	n.a.
	0026			an..14	Application reference	n.a.
	0029			a1	Processing priority code	n.a.
	0031		C	n1	Acknowledgement request	
	0032			an..35	Communications agreement id	n.a.
	0035		C	n1	Test indicator	'1' = the interchange relates to a test message
	<b>UNH</b>	0	M		<b>MESSAGE HEADER</b>	Identification, specification and heading of a message
	0062		M	an..14	Message reference number	First 14 positions of the message reference number
	S009		M		MESSAGE IDENTIFIER	
	0065		M	an..6	Message type	'APERAK', message type
	0052		M	an..3	Message version number	'D'
	0054		M	an..3	Message release number	'98B'
	0051		M	an..2	Controlling agency	'UN'
	0057		M	an..6	Association assigned code	'ERI12', ERI Version 1.2
	0068			an..35	Common access reference	n.a.

Table 2: ERI response message ERIRSP

Segment Group	Segment Composite data element (C) Data element TAG	Level	Mandatory Conditional	Format	Name	Description Qualifiers in quotation marks
1	2	3	4	5	6	7
	S010				STATUS OF THE TRANSFER	
	0070			n..2	Sequence of transfers	n.a.
	0073			a1	First and last transfer	n.a.
	<b>BGM</b>	0	M		<b>BEGINNING OF MESSAGE</b>	Identification of the type and function of the message
	C002		M		DOCUMENT/MESSAGE NAME	
	1001		M	an..3	Document/message name code	Type of message received for which this message contains the acknowledgment information: 'VES', from vessel to RIS authority message 'CAR', from carrier to RIS authority message 'PAS', passage report from RIS authority to RIS authority
	1131			an..3	Code list qualifier	n.a.
	3055			an..3	Code list responsible agency	n.a.
	1000			an..35	Document/message name	n.a.
	C106		M		DOCUMENT/MESSAGE IDENTIFICATION	
	1004		M	an..35 (an15)	Document identifier	Message reference number. This number should be as unique as possible, both for sender and for receiver. If a message is received and then passed on to another receiver, the original message reference number should be used. The transitional system should in this case not generate another message reference number.
	1056			an..9	Version	n.a.
	1060			an..6	Revision number	n.a.
	1225		M	an..3	Message function code	Function of message: '9' = new message



Table 2: ERI response message ERIRSP

Segment Group	Segment Composite data element (C) Data element TAG	Level	Mandatory Conditional	Format	Name	Description Qualifiers in quotation marks
1	2	3	4	5	6	7
	4343		M	an..3	Response type code	'AP' accepted 'RE' rejected. The notification is rejected if the transport already is active.
	<b>DTM</b>	1	C		<b>DATE/TIME/PERIOD</b>	The date/time that the receiving application encounters the approval or rejection
	C507		M		DATE/TIME/PERIOD	
	2005		M	an..3	Date or time or period function code qualifier	'137' for document/message date/time
	2380		M	an..35	Date or time period value	Value of arrival time: YYMMDDHHMM
	2379		M	an..3	Date or time or period format code	'201' for YYMMDDHHMM
	<b>RFF (1)</b>	1	C		<b>REFERENCE</b>	Reference to previous message
	C506		M		REFERENCE	
	1153		M	an..3	Reference qualifier	'ACW' for reference number to previous message
	1154		M	an..35	Reference number	Message reference number from BGM, TAG 1004 of the message this message refers to
	1156			an..6	Line number	n.a.
	4000			an..35	Reference version number	n.a.
	1060			an..6	Revision number	n.a.
	<b>RFF (2)</b>	1	C		<b>REFERENCE</b>	Reference to transaction/invoice number
	C506		M		REFERENCE	
	1153		M	an..3	Reference qualifier	'AAY' for reference number to transaction
	1154		M	an..35	Reference number	Reference number assigned by the receiving authority. The reference number should start with the UN country code followed by three positions for the assigning system. The final part is the actual reference number.

Table 2: ERI response message ERIRSP

Segment Group	Segment Composite data element (C) Data element TAG	Level	Mandatory Conditional	Format	Name	Description Qualifiers in quotation marks
1	2	3	4	5	6	7
	1156			an..6	Line number	n.a.
	4000			an..35	Reference version number	n.a.
	1060			an..6	Revision number	n.a.
NAD	<b>NAD (1)</b>	1	M		<b>NAME and ADDRESS</b>	Name and address of the sender of the notification
	3035		M	an..3	Party function code qualifier	'MS' for message sender
	C082				PARTY IDENTIFICATION DETAILS	n.a.
	3039			an..35	Party identification	n.a.
	1131			an..3	Code list qualifier	n.a.
	3055			an..3	Code list responsible agency	n.a.
	C058				NAME AND ADDRESS	n.a.
	3124			an..35	Name and address line	n.a.
	3124			an..35	Name and address line	n.a.
	3124			an..35	Name and address line	n.a.
	3124			an..35	Name and address line	n.a.
	3124			an..35	Name and address line	n.a.
	C080		M		PARTY NAME	
	3036		M	an..35	Party name	Name of the sender of the notification
	3036			an..35	Party name	n.a.
	3036			an..35	Party name	n.a.
	3036			an..35	Party name	n.a.
	3036			an..35	Party name	n.a.
	3045			an..3	Party name format, coded	n.a.
	C059		C		STREET	
	3042		M	an..35	Street and number/PO box	Street and number or post office box
	3042			an..35	Street and number/PO box	n.a.
	3042			an..35	Street and number/PO box	n.a.
	3042			an..35	Street and number/PO box	n.a.
	3164		C	an..35	City name	City
	3229			an..9	Country sub-entity identification	n.a.
	3251		C	an..9	Postcode identification	Postal identification code

Table 2: ERI response message ERIRSP

Segment Group	Segment Composite data element (C) Data element TAG	Level	Mandatory Conditional	Format	Name	Description Qualifiers in quotation marks
1	2	3	4	5	6	7
	3207		C	an..3	Country	ISO 3166-1 two alpha country code, see Part 2, Chapter 4.2.12
NAD	<b>COM</b>	2	C		<b>COMMUNICATION CONTACT</b>	Sender communication contact details (maximum 2 times)
	C076		M		COMMUNICATION CONTACT	
	3148		M	an..70	Communication number	Communication number
	3155		M	an..3	Communication channel qualifier	'TE' for telephone number 'FX' for fax number
	<b>ERC</b>	1	C		<b>APPLICATION ERROR INFORMATION</b>	
	C901		M		APPLICATION ERROR DETAIL	
	9321		M	an..8	Application error	Application error code
	1131			an..3	Code list qualifier	n.a.
	3055			an..3	Code list responsible agency	n.a.
ERC	<b>FTX</b>	2	C		<b>FREE TEXT</b>	To communicate the reason for rejection
	4451		M	an..3	Text subject code qualifier	'AAO' for free text error description
	4453			an..3	Free text function code	n.a.
	C107				TEXT REFERENCE	
	4441			an..17	Free text identification	n.a.
	1131			an..3	Code list qualifier	n.a.
	3055			an..3	Code list responsible agency	n.a.
	C108		C		TEXT LITERAL	Text
	4440		M	an.. 70	Free text	Further description
	4440		C	an.. 70	Free text	Further description
	4440		C	an.. 70	Free text	Further description
	4440		C	an.. 70	Free text	Further description
	4440		C	an.. 70	Free text	Further description
	3453			an.. 3	Language, coded	n.a.

Table 2: ERI response message ERIRSP

Segment Group	Segment Composite data element (C) Data element TAG	Level	Mandatory Conditional	Format	Name	Description Qualifiers in quotation marks
1	2	3	4	5	6	7
	4447			an..3	Text formatting, coded	n.a.
	<b>UNT</b>		M		<b>MESSAGE TRAILER</b>	End and control of completeness of the message
	0074		M	n..6	Number of segments in a message	
	0062		M	an..14	Message reference number	First 14 positions of the message reference number
	<b>UNZ</b>		M		<b>INTERCHANGE TRAILER</b>	End and control of the interchange
	0036		M	n..6	Interchange control count	'1' for number of messages contained in the interchange
	0020		M	an..14	Interchange control reference	First 14 positions of the message reference number

### 3. ERROR CODES

This chapter contains the list of error codes which shall be used in segment ERC, data element 9321 for data attribute: *MESSAGE REFERENCE ANSWERED TO ERROR DESCR CODE*.

It is the code list for the description of the error used by the PROTECT group; the codes values are numeric.

For local implementations additional codes may be needed. In local applications extra codes may be assigned having alphanumeric values; in this case the first character shall be alphabetic (e.g. A12).

The error codes are presented in two tables. In the first table the code entries are sorted on code description, in the other table the entries are sorted on code value.

It is also indicated whether the code can be used in reply to either a BERMAN (B) an ERINOT (E) or a WASDIS (W) message. These indications serve as guidance and are not intended to limit the use of codes.

#### Error codes — sorted on code description

Code value	Code description — shall be used in reply to message:	BERMAN	ERINOT	WASDIS
202	Agent not known		E	
153	Available landing space not sufficient	B		
356	Berth code invalid	B	E	W
355	Berth code not indicated	B	E	

Code value	Code description — shall be used in reply to message:	BERMAN	ERINOT	WASDIS
358	Berth code or terminal code invalid		E	
158	Berth from equal to berth to	B		
161	Berth from not equal to previous berth (to) location	B		
21	Berth from not indicated	B		
19	Berth from unknown (code and/or text)	B		
150	Berth not allowed or vessel length too long	B		
155	Berth not available	B		
20	Berth planned unknown (code and/or text)	B		
30	Berth request type (BGM.1001) invalid	B		
31	Berth request type (BGM.1001) out of sequence	B		
22	Berth to (next berth) not indicated	B		
23	Berth to (next berth) unknown (code and/or text)	B		
25	Berth unknown (code and/or text)	B		
128	Cancellation not allowed: already activated by VTS	B	E	W
130	Cancellation not allowed: ship is arriving	B	E	W
131	Cancellation not allowed: ship is moored	B	E	W
135	Carrier agent contact name invalid or not indicated	B	E	
136	Carrier agent ID invalid	B	E	
137	Carrier agent NAD details invalid or not indicated	B	E	W
138	Carrier agent not authorised	B	E	W
139	Carrier ID SCAC code invalid or not indicated	B	E	
140	Carrier NAD details invalid or not indicated	B		
119	CNI-number has already been used in this notification		E	
156	Combination invalid: draft/length ratio of vessel	B		
222	Combination invalid: IMDG class versus UN number		E	
225	Combination invalid: Lloyd's Register number versus radio call sign	B	D	W
232	Combination invalid: MARPOL annex code versus MARPOL annex subdivision			W
233	Combination invalid: vessel's call reference versus vessel identification	B	E	W
27	Consignee not indicated		E	
220	Dangerous goods technical name not indicated		E	
236	Dangerous/hazardous goods on board and/or manifest on board indicator invalid or not indicated	B		
400	Date arrival pre-carriage has to be indicated or is not valid		E	
402	Date arrival pre-carriage/date departure on-carriage: invalid or not indicated		E	
401	Date departure on-carriage has to be indicated or is not valid		E	
352	Date of operation (discharge) not indicated		E	
351	Date of operation (load) not indicated		E	
376	Date of operation is after the date of on-carriage		E	

Code value	Code description — shall be used in reply to message:	BERMAN	ERINOT	WASDIS
377	Date of operation is before the date of pre-carriage		E	
375	Date of operation is invalid/outside the period of stay		E	
350	Date of operation: not indicated or not valid		E	
353	Date of registry invalid	B		
378	Date on-carriage is before arrival of pre-carriage means of transport		E	
379	Date pre-carriage is after departure of on-carriage means of transport		E	
381	Date/time last waste discharge invalid		E	W
382	Date/time of message invalid	B	E	W
383	Date/time of vessel's last waste discharge invalid			W
384	Date/time vessel's waste discharge in port of call invalid			W
207	Declaring party not indicated		E	
201	Declaring party not known		E	
209	Declaring party: only 1 declaring party authorised		E	
152	Depth of water insufficient	B		
112	Duplicate message reference (BGM.1004)		E	
114	Duplicate notification/request for vessel	B	D	W
600	Equipment identification invalid (EQD versus SGP do not match)		E	
407	ETA greater than current local time (system time)	B	D	W
408	ETA main carriage in port of call invalid or not indicated	B	D	W
409	ETA main-carriage at berth to (next berth) invalid or not indicated	B		
411	ETA main-carriage greater than ETD	B	D	W
405	ETA main-carriage on berth invalid or not indicated	B	E	
370	ETA of referenced party not valid		E	
406	ETD main-carriage on berth invalid or not indicated	B	E	
372	ETD of referenced party not valid	B	E	
373	ETD on-carriage invalid or not indicated	B	E	
226	Flashpoint invalid or not indicated		E	
203	Forwarder not known		E	
253	Goods gross weight invalid or not indicated (incl. unit of measure invalid or not indicated)		E	
250	Goods item number has already been used in this consignment		E	
265	Goods net explosive weight invalid or not indicated (incl. unit of measure invalid or not indicated)		E	
261	Goods net weight invalid or not indicated (incl. unit of measure invalid or not indicated)		E	
262	Goods radioactive criticality index invalid or not indicated (incl. unit of measure invalid or not indicated)		E	
263	Goods radioactive index of transport invalid or not indicated (incl. unit of measure invalid or not indicated)		E	
264	Goods radioactivity invalid or not indicated (incl. unit of measure invalid or not indicated)		E	
304	Handling instruction code invalid		E	
305	Handling instruction not valid for declaring party		E	

Code value	Code description — shall be used in reply to message:	BERMAN	ERINOT	WASDIS
234	Handling not permitted at indicated berth/warehouse		E	
221	IMDG class not known		E	
341	Lloyd's number not indicated	B	E	W
340	Lloyd's number not valid	B	E	W
505	Location identification code warehouse not valid		E	
506	Location identification, name/address warehouse not indicated		E	
520	MARPOL annex code invalid			W
521	MARPOL annex subdivision code invalid			W
311	Message change remarks code invalid	B	E	
310	Message change remarks text not indicated	B	E	
113	Message function indicator invalid	B	E	W
116	Message identifier data invalid (UNH.S009)	B	E	W
132	Message recipient ID invalid	B	E	W
133	Message reference invalid or not indicated	B	D	W
142	Message reference of previous message invalid (unknown)	B	E	W
143	Message sender ID invalid	B	E	W
144	Message sender NAD details invalid or not indicated	B	E	W
165	Message sequence invalid (value message function indicator in BGM.1225 not expected)	B	E	W
170	Mismatch Lloyd's Register number versus previous Lloyd's Register number	B	D	W
171	Mismatch Lloyd's Register number versus previous Lloyd's Register number	B	D	W
172	Mismatch Vessel characteristics in message versus PA database			W
321	Mode of transport invalid or not indicated	B	E	W
322	Mode of transport not allowed (e.g. for declaring agent)		E	
323	Mooring info text code invalid	B		
345	Name of means of transport not indicated		E	
229	Net weight invalid or not indicated (incl. unit of measure invalid or not indicated)		E	
415	Notification/request submitted too early	B		
416	Notification/request submitted too late	B	E	
420	Notify party not indicated		E	
425	Number of crew on board invalid	B		
426	Number of packages not indicated		E	
427	Number of people on board invalid	B		
428	Number of pilots required invalid	B		
429	Number of towage vessel required invalid	B		
440	Overlapping vessel's call encountered	B		
224	Page number IMDG code: format invalid		E	
395	Party identification: not indicated/valid	B	E	W
300	Party qualifier code invalid		E	
450	Pilotage exemption number invalid	B		

Code value	Code description — shall be used in reply to message:	BERMAN	ERINOT	WASDIS
455	Port by-laws not followed		E	
460	Port of call entry point code invalid	B		
461	Port of call exit point code invalid	B		
462	Port of discharge not indicated		E	
463	Port of loading not indicated		E	
470	Port services requested code invalid	B		
115	Previous message not received	B	E	W
475	Previous message still pending	B	D	W
231	Quantity limitation exceeded		E	
330	Radio call sign of vessel invalid or not indicated	B	E	W
331	Radio call sign of vessel not valid	B	E	W
380	Radio call sign or ETA and ETD have to be indicated	B	E	
366	Reference to agent not indicated		E	
367	Reference to agent not valid		E	
360	Reference to freight forwarder not indicated		E	
361	Reference to freight forwarder not valid		E	
317	Reference to previous message not valid	B	E	
480	Request rejected by port authority	B	D	W
481	Requested priority for passing lock invalid	B		
482	Requested priority for passing lock issued too late	B		
483	Requested priority for passing lock not possible	B		
485	Security file number of dangerous goods: not indicated		E	
486	Security file number of dangerous goods: not valid		E	
487	Security level at previous port facility invalid	B		
488	Security level invalid	B		
489	Security procedures followed indicator invalid	B		
493	Security: ISPS code information missing	B		
490	Security: ISSC issuing authority code invalid	B		
491	Security: ISSC issuing authority NAD details invalid or not indicated	B		
492	Security: ISSC on board code and/or capable to execute ISPS code indicator invalid	B		
535	Service requirement code (TSR.7273) invalid	B		
540	Shipper not indicated		E	
541	Shipping line/regular service (SCAC code) invalid or not indicated	B	E	
546	Ship's stay reference (call reference) in port of call not indicated	B		
545	Ship's stay reference (call reference) number invalid	B	E	
357	Terminal code invalid		E	



Code value	Code description — shall be used in reply to message:	BERMAN	ERINOT	WASDIS
531	Transport licence for explosives not indicated		E	
326	Transport stage qualifier invalid or not indicated	B	E	W
103	Tried to add detail to closed notification		E	
100	Tried to add detail to unknown notification		E	
111	Tried to cancel closed notification/message	B	E	W
110	Tried to cancel unknown notification/message	B	E	W
108	Tried to change closed notification/message	B	E	W
121	Tried to change deleted detail		E	
104	Tried to change detail section in closed notification		E	
101	Tried to change detail section in unknown notification		E	
106	Tried to change heading section of unknown notification		E	
120	Tried to change unknown detail		E	
107	Tried to create notification with duplicate identification		E	
123	Tried to delete deleted detail		E	
105	Tried to delete detail from closed notification		E	
102	Tried to delete detail from unknown notification		E	
124	Tried to delete last remaining detail		E	
122	Tried to delete unknown detail		E	
126	Tried to replace closed notification/message	B	E	W
125	Tried to replace unknown notification/message	B	E	W
550	Type of berth not appropriate for type of vessel	B		
551	Type of call (purpose of call) at berth code invalid	B		
228	Type of package not indicated or invalid		E	
555	UN number (UNDG number) invalid		E	
227	UN number or page number IMDG code: not indicated		E	
561	UNLOCODE inspection place waste last invalid			W
562	UNLOCODE place of registry invalid	B		
563	UNLOCODE port of call invalid	B		
565	UNLOCODE port of call next invalid	B		
567	UNLOCODE port of call previous invalid	B		
568	UNLOCODE port of delivery of waste remainder invalid			W
577	UNLOCODE port of destination invalid	B		
570	UNLOCODE port of discharge invalid		E	
572	UNLOCODE port of discharge of waste invalid			W
574	UNLOCODE port of loading invalid		E	
575	UNLOCODE port of loading pre-carriage invalid		E	
576	UNLOCODE port of origin invalid	B		
614	Vessel deadweight invalid or not indicated (incl. unit of measure invalid or not indicated)	B		

Code value	Code description — shall be used in reply to message:	BERMAN	ERINOT	WASDIS
591	Vessel defect code invalid	B		
235	Vessel does not come to port	B		
592	Vessel draft actual for and/or aft invalid or not indicated	B		
594	Vessel falls within boycott regime	B		
615	Vessel length overall invalid or not indicated invalid or not indicated (incl. unit of measure invalid or not indicated)	B		
597	Vessel master name invalid or not indicated	B		
598	Vessel name invalid			
599	Vessel nationality invalid or not indicated	B	E	W
610	Vessel owner agent contact name invalid or not indicated	B		
611	Vessel owner agent NAD details invalid or not indicated	B		
613	Vessel tonnage gross invalid or not indicated (incl. unit of measure invalid or not indicated)	B		
620	Vessel type code invalid	B		
616	Vessel width maximum invalid or not indicated invalid or not indicated (incl. unit of measure invalid or not indicated)	B		
630	Vessel's call cancelled	B		
631	Vessel's call closed	B	E	W
635	Voyage number not indicated	B		
650	Waste collector ID invalid			W
651	Waste report exemption indication invalid or not indicated			W
652	Waste report message info code (BGM.1001) invalid			W
653	Waste specification text invalid or not appropriate			W
654	Waste volume on board invalid or not indicated (incl. unit of measure invalid or not indicated)			W
655	Waste volume storage capacity invalid or not indicated (incl. unit of measure invalid or not indicated)			W
656	Waste volume to be delivered invalid or not indicated (incl. unit of measure invalid or not indicated)			W
657	Waste volume to be generated invalid or not indicated (incl. unit of measure invalid or not indicated)			W
658	Waste volume to remain on board invalid or not indicated (incl. unit of measure invalid or not indicated)			W

**Error codes — sorted on code value**

Code Value	Code description — shall be used in reply to message:	BERMAN	ERINOT	WASDIS
19	Berth from unknown (code and/or text)	B		
20	Berth planned unknown (code and/or text)	B		
21	Berth from not indicated	B		
22	Berth to (next berth) not indicated	B		
23	Berth to (next berth) unknown (code and/or text)	B		
25	Berth unknown (code and/or text)	B		
27	Consignee not indicated		E	

Code Value	Code description — shall be used in reply to message:	BERMAN	ERINOT	WASDIS
30	Berth request type (BGM.1001) invalid	B		
31	Berth request type (BGM.1001) out of sequence	B		
100	Tried to add detail to unknown notification		E	
101	Tried to change detail section in unknown notification		E	
102	Tried to delete detail from unknown notification		E	
103	Tried to add detail to closed notification		E	
104	Tried to change detail section in closed notification		E	
105	Tried to delete detail from closed notification		E	
106	Tried to change heading section of unknown notification		E	
107	Tried to create notification with duplicate identification		E	
108	Tried to change closed notification/message	B	E	W
110	Tried to cancel unknown notification/message	B	E	W
111	Tried to cancel closed notification/message	B	E	W
112	Duplicate message reference (BGM.1004)		E	
113	Message function indicator invalid	B	E	W
114	Duplicate notification/request for vessel	B	D	W
115	Previous message not received	B	E	W
116	Message identifier data invalid (UNH.S009)	B	E	W
119	CNI number has already been used in this notification		E	
120	Tried to change unknown detail		E	
121	Tried to change deleted detail		E	
122	Tried to delete unknown detail		E	
123	Tried to delete deleted detail		E	
124	Tried to delete last remaining detail		E	
125	Tried to replace unknown notification/message	B	E	W
126	Tried to replace closed notification/message	B	E	W
128	Cancellation not allowed: already activated by VTS	B	E	W
130	Cancellation not allowed: ship is arriving	B	E	W
131	Cancellation not allowed: ship is moored	B	E	W
132	Message recipient ID invalid	B	E	W
133	Message reference invalid or not indicated	B	D	W
135	Carrier agent contact name invalid or not indicated	B	E	
136	Carrier agent ID invalid	B	E	
137	Carrier agent NAD details invalid or not indicated	B	E	W
138	Carrier agent not authorised	B	E	W
139	Carrier ID SCAC code invalid or not indicated	B	E	
140	Carrier NAD details invalid or not indicated	B		
142	Message reference of previous message invalid (unknown)	B	E	W
143	Message sender ID invalid	B	E	W
144	Message sender NAD details invalid or not indicated	B	E	W

Code Value	Code description — shall be used in reply to message:	BERMAN	ERINOT	WASDIS
150	Berth not allowed or vessel length too long	B		
152	Depth of water insufficient	B		
153	Available landing space not sufficient	B		
155	Berth not available	B		
156	Combination invalid: draft/length ratio of vessel	B		
158	Berth from equal to berth to	B		
161	Berth from not equal to previous berth (to) location	B		
165	Message sequence invalid (value message function indicator in BGM.1225 not expected)	B	E	W
170	Mismatch Lloyd's Register number versus previous Lloyd's Register number	B	D	W
171	Mismatch Lloyd's Register number versus previous Lloyd's Register number	B	D	W
172	Mismatch vessel characteristics in message versus PA database			W
201	Declaring party not known		E	
202	Agent not known		E	
203	Forwarder not known		E	
207	Declaring party not indicated		E	
209	Declaring party: only 1 declaring party authorised		E	
220	Dangerous goods technical name not indicated		E	
221	IMDG class not known		E	
222	Combination invalid: IMDG class versus UN number		E	
224	Page number IMDG code: format invalid		E	
225	Combination invalid: Lloyd's Register number versus radio call sign	B	D	W
226	Flashpoint invalid or not indicated		E	
227	UN number or page number IMDG code: not indicated		E	
228	Type of package not indicated or invalid		E	
229	Net weight invalid or not indicated (incl. unit of measure invalid or not indicated)		E	
231	Quantity limitation exceeded		E	
232	Combination invalid: MARPOL annex code versus MARPOL annex subdivision			W
233	Combination invalid: vessel's call reference versus vessel identification	B	E	W
234	Handling not permitted at indicated berth/warehouse		E	
235	Vessel does not come to port	B		
236	Dangerous/hazardous goods on board and/or manifest on board indicator invalid or not indicated	B		
250	Goods item number has already been used in this consignment		E	
253	Goods gross weight invalid or not indicated (incl. unit of measure invalid or not indicated)		E	
261	Goods net weight invalid or not indicated (incl. unit of measure invalid or not indicated)		E	

Code Value	Code description — shall be used in reply to message:	BERMAN	ERINOT	WASDIS
262	Goods radioactive criticality index invalid or not indicated (incl. unit of measure invalid or not indicated)		E	
263	Goods radioactive index of transport invalid or not indicated (incl. unit of measure invalid or not indicated)		E	
264	Goods radioactivity invalid or not indicated (incl. unit of measure invalid or not indicated)		E	
265	Goods net explosive weight invalid or not indicated (incl. unit of measure invalid or not indicated)		E	
300	Party qualifier code invalid		E	
304	Handling instruction code invalid		E	
305	Handling instruction not valid for declaring party		E	
310	Message change remarks text not indicated	B	E	
311	Message change remarks code invalid	B	E	
317	Reference to previous message not valid	B	E	
321	Mode of transport invalid or not indicated	B	E	W
322	Mode of transport not allowed (e.g. for declaring agent)		E	
323	Mooring info text code invalid	B		
326	Transport stage qualifier invalid or not indicated	B	E	W
330	Radio Call Sign of vessel invalid or not indicated	B	E	W
331	Radio call sign of vessel not valid	B	E	W
340	Lloyd's number not valid	B	E	W
341	Lloyd's number not indicated	B	E	W
345	Name of means of transport not indicated		E	
350	Date of operation: not indicated or not valid		E	
351	Date of operation (load) not indicated		E	
352	Date of operation (discharge) not indicated		E	
353	Date of registry invalid	B		
355	Berth code not indicated	B	E	
356	Berth code invalid	B	E	W
357	Terminal code invalid		E	
358	Berth code or terminal code invalid		E	
360	Reference to freight forwarder not indicated		E	
361	Reference to freight forwarder not valid		E	
366	Reference to agent not indicated		E	
367	Reference to agent not valid		E	
370	ETA of referenced party not valid		E	
372	ETD of referenced party not valid	B	E	
373	ETD on-carriage invalid or not indicated	B	E	
375	Date of operation is invalid/outside the period of stay		E	
376	Date of operation is after the date of on-carriage		E	
377	Date of operation is before the date of pre-carriage		E	
378	Date on-carriage is before arrival of pre-carriage means of transport		E	
379	Date pre-carriage is after departure of on-carriage means of transport		E	

Code Value	Code description — shall be used in reply to message:	BERMAN	ERINOT	WASDIS
380	Radio call sign or ETA and ETD have to be indicated	B	E	
381	Date/time last waste discharge invalid			W
382	Date/time of message invalid	B	E	W
383	Date/time of vessel's last waste discharge invalid		E	W
384	Date/time vessel's waste discharge in port of call invalid			W
395	Party identification: not indicated/valid	B	E	W
400	Date arrival pre-carriage has to be indicated or is not valid		E	
401	Date departure on-carriage has to be indicated or is not valid		E	
402	Date arrival pre-carriage/date departure on-carriage: invalid or not indicated		E	
405	ETA main-carriage on berth invalid or not indicated	B	E	
406	ETD main-carriage on berth invalid or not indicated	B	E	
407	ETA greater than current local time (system time)	B	D	W
408	ETA main carriage in port of call invalid or not indicated	B	D	W
409	ETA main-carriage at berth to (next berth) invalid or not indicated	B		
411	ETA main-carriage greater than ETD	B	D	W
415	Notification/request submitted too early	B		
416	Notification/request submitted too late	B	E	
420	Notify party not indicated		E	
425	Number of crew on board invalid	B		
426	Number of packages not indicated		E	
427	Number of people on board invalid	B		
428	Number of pilots required invalid	B		
429	Number of towage vessel required invalid	B		
440	Overlapping vessel's call encountered	B		
450	Pilotage exemption number invalid	B		
455	Port by-laws not followed		E	
460	Port of call entry point code invalid	B		
461	Port of call exit point code invalid	B		
462	Port of discharge not indicated		E	
463	Port of loading not indicated		E	
470	Port services requested code invalid	B		
475	Previous message still pending	B	D	W
480	Request rejected by port authority	B	D	W
481	Requested priority for passing lock invalid	B		
482	Requested priority for passing lock issued too late	B		
483	Requested priority for passing lock not possible	B		
485	Security file number of dangerous goods: not indicated		E	
486	Security file number of dangerous goods: not valid		E	
487	Security level at previous port facility invalid	B		

Code Value	Code description — shall be used in reply to message:	BERMAN	ERINOT	WASDIS
488	Security level invalid	B		
489	Security procedures followed indicator invalid	B		
490	Security: ISSC issuing authority code invalid	B		
491	Security: ISSC issuing authority NAD details invalid or not indicated	B		
492	Security: ISSC on board code and/or capable to execute ISPS code indicator invalid	B		
493	Security: ISPS code information missing	B		
505	Location identification code warehouse not valid		E	
506	Location identification, name/address warehouse not indicated		E	
520	MARPOL annex code invalid			W
521	MARPOL annex subdivision code invalid			W
531	Transport licence for explosives not indicated		E	
535	Service requirement code (TSR.7273) invalid	B		
540	Shipper not indicated		E	
541	Shipping line/regular service (SCAC code) invalid or not indicated	B	E	
545	Ship's stay reference (call reference) number invalid	B	E	
546	Ship's stay reference (call reference) in port of call not indicated	B		
550	Type of berth not appropriate for type of vessel	B		
551	Type of call (purpose of call) at berth code invalid	B		
555	UN number (UNDG number) invalid		E	
561	UNLOCODE inspection place waste last invalid			W
562	UNLOCODE place of registry invalid	B		
563	UNLOCODE port of call invalid	B		
565	UNLOCODE port of call next invalid	B		
567	UNLOCODE port of call previous invalid	B		
568	UNLOCODE port of delivery of waste remainder invalid			W
570	UNLOCODE port of discharge invalid		E	
572	UNLOCODE port of discharge of waste invalid			W
574	UNLOCODE port of loading invalid		E	
575	UNLOCODE port of loading pre-carriage invalid		E	
576	UNLOCODE port of origin invalid	B		
577	UNLOCODE port of destination invalid	B		
591	Vessel defect code invalid	B		
592	Vessel draft actual for and/or aft invalid or not indicated	B		
594	Vessel falls within boycott regime	B		
597	Vessel master name invalid or not indicated	B		
598	Vessel name invalid			
599	Vessel nationality/registration invalid or not indicated	B	E	W
600	Equipment identification invalid (EQD versus SGP do not match)		E	

Code Value	Code description — shall be used in reply to message:	BERMAN	ERINOT	WASDIS
610	Vessel owner agent contact name invalid or not indicated	B		
611	Vessel owner agent NAD details invalid or not indicated	B		
613	Vessel tonnage gross invalid or not indicated (incl. unit of measure invalid or not indicated)	B		
614	Vessel deadweight invalid or not indicated (incl. unit of measure invalid or not indicated)	B		
615	Vessel length overall invalid or not indicated invalid or not indicated (incl. unit of measure invalid or not indicated)	B		
616	Vessel width maximum invalid or not indicated invalid or not indicated (incl. unit of measure invalid or not indicated)	B		
620	Vessel type code invalid	B		
630	Vessel's call cancelled	B		
631	Vessel's call closed	B	E	W
635	Voyage number not indicated	B		
650	Waste collector ID invalid			W
651	Waste report exemption indication invalid or not indicated			W
652	Waste report message info code (BGM.1001) invalid			W
653	Waste specification text invalid or not appropriate			W
654	Waste volume on board invalid or not indicated (incl. unit of measure invalid or not indicated)			W
655	Waste volume storage capacity invalid or not indicated (incl. unit of measure invalid or not indicated)			W
656	Waste volume to be delivered invalid or not indicated (incl. unit of measure invalid or not indicated)			W
657	Waste volume to be generated invalid or not indicated (incl. unit of measure invalid or not indicated)			W
658	Waste volume to remain on board invalid or not indicated (incl. unit of measure invalid or not indicated)			W



## Appendix 4

**Berth management port notification (BERMAN)**

## TABLE OF CONTENTS

1.	Necessary data in accordance with the FAL Convention .....	121
2.	Message function .....	122
2.1.	Functional definition .....	122
2.2.	Message principles .....	122
3.	Message structure .....	123
4.	Data attributes .....	141

## 1. NECESSARY DATA IN ACCORDANCE WITH THE FAL CONVENTION

In the FAL General Declaration <sup>(1)</sup>, public authorities should not require more than the following information:

1. name and description of the ship
2. nationality of ship
3. particulars regarding registry
4. particulars regarding tonnage
5. name of master
6. name and address of ship's agent
7. brief description of cargo
8. number of crew
9. number of passengers
10. brief particulars of voyage
11. date and time of arrival, date of departure
12. port of arrival or departure
13. position of the ship in the port
14. the ships requirements in terms of waste and residue reception facilities
15. Purpose of call

<sup>(1)</sup> IMO Compendium on facilitation and electronic business, FAL.5/Cic.15, 19 February 2001; Directive 2002/6/EC of the European Parliament and of the Council of 18 February 2002 on reporting formalities for ships arriving in and/or departing from ports of the Member States of the Community (OJ L 67, 9.3.2002, p. 31).

In addition the following particulars are to be included for ISPS <sup>(1)</sup> purposes:

16. name of the ships security officer
17. security certificate (ISSC) number and authority
18. security level at which ship is operating level 1, 2 or 3
19. Information on nr. of persons and vehicles

## 2. MESSAGE FUNCTION

### 2.1. Functional definition

The BERMAN message is a message from a carrier, its agent or a vessel to the responsible Port Authority, requesting a berth, giving details of the call, ship, berth requirements and expected operations <sup>(2)</sup>. It is based on the EDIFACT BERMAN message as published in the UN/EDIFACT D 04B directory. The implementation manual is based on the guidelines as defined by the PROTECT group.

### 2.2. Message principles

The following principles shall apply to the BERMAN message as defined in these technical specifications for the purpose of electronic ship reporting in inland navigation:

1. A message shall contain information on only one means of transport/conveyance.
2. One message shall relate to one visit of a ship to one port of call.
3. The visit of the vessel shall be identified by a unique call reference number that is issued by or on behalf of the authority in the port (e.g. the port authority or the customs authority).
4. The message shall incorporate the (legal) requirements regarding the notification of a ship to a port. It shall support one request for the ship — be it for entering the port, berthing on arrival of the ship, leaving the berth on departure of the ship or shifting of berths for the ship within the port or for only transiting through the port area.
5. The arrival notification shall contain all details regarding the movement of the ship from outside the port area to the first berth in the port area. The additional services to be arranged for arrival at the first berth (e.g. arrangement of pilots, VTS, tugboats, and linesmen) may be specified. The ETA (estimated time of arrival) at the entry point and previous port of call of the ship shall be given.
6. A shift berthing request shall contain all details as to the movement from one berth to the next berth in the same port area. The additional services to be arranged (e.g. arrangement of tugboats, pilots or linesman) may be specified for each berth separately. The ETD (estimated time of departure) for the first berth is mandatory. The shift berthing request shall further contain the other berths that are planned to be visited during the ship's call, including the ETA at these berths.
7. A departure request shall contain all details related to the departure of the ship from the (last) berth in the port area. Additional services to be arranged for departure from the berth (e.g. arrangement of tugboats, pilots or linesman) may be specified. The ETD from the berth and the next port of call of the ship shall be given upon departure.

<sup>(1)</sup> The International Ship and Port Facility Security Code (ISPS code) was adopted by the IMO in 2002 it is mandatory under the SOLAS Convention entering in force on 1 July 2004.

<sup>(2)</sup> In accordance with the IMO Compendium the BERMAN message can be used as a substitute for the IMO General Declaration (CUSREP) for the purpose of the announcement of the expected arrival of a ship in a certain port.

8. The message is based on and supports the implementation by means of EDI of the following international and European legislation:
- (a) the **IMO FAL Form 1** (as also contained in the IMO Compendium on Facilitation and electronic business, document FAL.5/Circ.15, dated February 19, 2001 and also contained in the European Directive 'on reporting formalities for ships arriving in and/or departing from ports of the Member States of the Community', Directive 2002/6/EC (OJ L 67, 9.3.2002, p. 31));
  - (b) **International ship and port facility security (ISPS) code**, adopted by the Conference of Contracting Governments of the International Maritime Organisation (IMO) on 12 December 2002, in the amendments to the annex to the International Convention of Safety of Life at Sea (SOLAS), 1974 and **Regulation (EC) No 725/2004** of the European Parliament and of the Council of 31 March 2004 on enhancing ship and port facility security (OJ L 129, 29.4.2004, p. 6).
9. The message shall cater for the provision of sending a replacement or a cancellation of a previously sent original message.
10. The message content shall be uniquely identified by means of the message reference (in BGM 1004) and the message sender identification (in NAD(MS) 3039). All other identifying data, such as the unique ship ID of the ship or the voyage number, are secondary references. The sending of replacements and updates also makes use of this principle.

### 3. MESSAGE STRUCTURE

Page	Pos.	Seg.		Base	User				Group	Notes and
No	No	ID	Name	status	status	Max. use			repeat	comments
		UNA		C	C	1				
		UNB		M	M	1				
	10	UNH	Message header	M	M	1				
	20	BGM	Beginning of message	M	M	1				
	30	DTM	Date/time/period	C	R	1				
	40	FTX	Free text	C	D	1				
	50	RFF	Reference	C	D	3			Message Ship	
	70		Segment Group 1: NAD-SG2	M	M			9		
	80	NAD	Name and address	M	M	1			Sender	Recipient, Agent, Captain, Security Officer
	90		Segment Group 2: CTA-COM	C	O			1		
	100	CTA	Contact information	M	M	1				
	110	COM	Communication contact	C	O	3				
	120		Segment Group 3: TDT-RFF-MEA-FTX-SG4	M	M			1		
	130	TDT	Transport information	M	M	1			Ship ID	
	140	RFF	Reference	C	D	1		6		
	160	MEA	Measurements	C	R	1		9	LOA	Draft, GRT
	170	FTX	Free text	C	O	1		3	DGS indicator	Cargo desc.
	190		Segment Group 4: LOC-DTM	C	R			9		
	200	LOC	Place/location identification	M	M	1			Port Arr.	Prev. port next port, final dest.
	210	DTM	Date/time/period	C	M	1		2	ETA	ETD
	300		Segment Group 7: TSR-QTY-SG8	C	O			4		
	310	TSR	Transport service requirements	M	M	1			Request	

Page	Pos.	Seg.		Base	User				Group	Notes and
No	No	ID	Name	status	status	Max. use			repeat	comments
	320	QTY	Quantity	C	D	1		2	Persons	
	330	FTX	Free text	C	R	1		9	ISSC, Security level, Capable CAR	
	340		Segment Group 8: LOC-DTM-POC-SG9	C	C			4		
	350	LOC	Place/location identification	M	M	1			Activity loc.	
	370	DTM	Date/time/period	C	D	1		2		
	380	QTY	Quantity	C	D	1		2		
	390	POC	Purpose of call	C	O	9				
	400	FTX	Free text	C	R	1				
	410		Segment Group 9: HAN-NAD	C	O			4		
	420	HAN	Handling instructions	M	M	1			Port services	
	430	NAD	Name and address	C	D	1		4		
	500	UNT	Message trailer	M	M		1			

The pre-arrival notification message format for the berth management message is as follows:

Segment Group	Segment Composite data element (C) Data element TAG	Level	Mandatory Conditional	Format	Description segments/fields	Description of qualifiers and used codes, general remarks on usage of data elements, Usage notes
	<b>UNA</b>		<b>C</b>		<b>Service String Advice</b>	
			<b>M</b>	an1	Component data element separator	:
			<b>M</b>	an1	Segment tag and data element separator	+
			<b>M</b>	an1	Decimal notation	.
			<b>M</b>	an1	Release indicator	?
			<b>M</b>	an1	Reserved future use	<b>Space</b>
			<b>M</b>	an1	Segment terminator	'
					<b>Advised string: UNA:+.?'</b>	<b>6 characters</b>
	<b>UNB</b>		<b>M</b>		<b>Interchange header</b>	
	S001		M		SYNTAX IDENTIFIER	
		0001	M	a4	Syntax identifier	'UNOC' Controlling agency
		0002	M	n1	Syntax version number	'2'
	S002		M		INTERCHANGE SENDER	
		0004	M	an..35 (an25)	Sender identification	Mailbox number or unique name
		0007		an..4	Partner identification code qualifier	n.a.
		0008		an..14	Address for reverse routing	n.a.

Segment Group	Segment Composite data element (C) Data element TAG	Level	Mandatory Conditional	Format	Description segments/fields	Description of qualifiers and used codes, general remarks on usage of data elements, Usage notes
	S003		M		INTERCHANGE RECIPIENT	
	0010		M	an..35 (an25)	Recipient identification	Mailbox number or unique name
	0007		C	an..4	Partner identification code qualifier	n.a.
	0014		C	an..14	Routing address	n.a.
	S004		M		DATE/TIME OF PREPARATION	
	0017		M	n6	Date	Generation date, YYMMDD
	0019		M	n4	Time	Generation time, HHMM
	0020		M	an..14	Interchange reference identification	First 14 positions of the message reference number
	S005		C		RECIPIENTS REFERENCE, PASSWORD	n.a.
	0022			an..14	Recipient's reference/password	n.a.
	0025			an2	Recipient's reference, password qualifier	n.a.
	0026			an..14		Application reference
	0029			a1		Processing priority code
	0031		C	C	n1	Acknowledgement request
	0032				an..35	n.a.
	0035			C	n1	Test indicator '1' = the interchange relates to a test message
	<b>UNH</b>		<b>M</b>		<b>Identification, specification and heading of a message</b>	
	0062		<b>M</b>	an..14	Message reference number	First 14 positions of the message number
	S009		<b>M</b>		MESSAGE IDENTIFIER	Message identification
	0065		<b>M</b>	an..6	Message type	'BERMAN', message type
	0052		<b>M</b>	an..3	Message version number	'D', message version number
	0054		<b>M</b>	an..3	Message release number	'05B', message release number
	0051		<b>M</b>	an..2	Controlling agency	'UN', controlling agency
	0057		<b>M</b>	an..6	Association assigned code	'ERI20', association assigned code/ERI/Protect version 2.0
	0068		<b>C</b>	an..35	Common access reference	Reference to all messages related to one common file

Segment Group	Segment Composite data element (C) Data element TAG	Level	Mandatory Conditional	Format	Description segments/fields	Description of qualifiers and used codes, general remarks on usage of data elements, Usage notes
	S010				STATUS OF THE TRANSFER	
	0070			n..2	Sequence of transfers	n.a.
	0073			a1	First and last transfer	n.a.
	<b>BGM</b>		<b>M</b>		<b>Identification of the type and function of the message</b>	
	C002				Message name	
	1001		<b>M</b>	an..3	Document/message name code	Message Type: '185' Arrival '186' Departure '187' Combination, shift '318' Application for shifting '23' Status information, ... Change of original 187 Note: 187 to be used as continued voyage indicator
	1131			an..17	Code list qualifier	
	3055			an..3	Code list responsible agency	
	1000			an..35	Document/message name	
	C106		<b>M</b>		DOCUMENT/MESSAGE IDENTIFICATION	
	1004		<b>M</b>	an..35	Document identifier	Use max. (an15) for message reference number
	1056			an..9	Version	
	1060			an..6	Revision number	
	1225		<b>M</b>	an..3	Message function code	<b>Function</b> of message: '9' = new message, original '5' = modification message by replacement '1' = cancellation
	4343			an..3	Response type code	'QA'
	<b>DTM</b>		<b>M</b>		<b>DATE/TIME/PERIOD</b>	
	C507		<b>M</b>		DATE/TIME/PERIOD	
	2005		<b>M</b>	an..3	Date or time or period function code qualifier	'137' Date of preparation
	2380		<b>M</b>	an..35	Date or time period value	Date: CCYYMMDD
	2379		<b>M</b>	an..3	Date or time or period format code	'102' For CCYYMMDDHHMM use '203'

Segment Group	Segment Composite data element (C) Data element TAG	Level	Mandatory Conditional	Format	Description segments/fields	Description of qualifiers and used codes, general remarks on usage of data elements, Usage notes
	<b>FTX</b>		<b>C</b>		<b>Free text</b>	
	4451		<b>M</b>	an..3	Text subject code qualifier	
	4453			an..3	Free text function code	
	C107				TEXT REFERENCE	
	4441		<b>C</b>	an..17	Free text identification	General information on the call of the vessel CAM = mistakes in previous message CAN = cancelled because of cargo change GIV = General info vessel
	1131			an..17	Code list qualifier	
	3055			an..3	Code list responsible agency	
	C108		<b>C</b>			
	4440		<b>C</b>	an..512	Free text	Free text: Vessel defects info (vessel, nautical equipment, cargo handling, protruding parts, fire, overheating, smoke)
	4440		<b>C</b>	an..512	Free text	
	4440			an..512	Free text	
	4440			an..512	Free text	
	4440			an..512	Free text	
	3453			an..3	Language, coded	
	4447			an..3	Text formatting, coded	
	<b>RFF</b>		<b>C</b>		<b>REFERENCE</b>	<b>Reference to the message which is changed, mandatory if the message is a modification message</b>
	C506		<b>M</b>		REFERENCE	
	1153		<b>M</b>	an..3	Reference qualifier	'ACW' Reference to previous message
	1154		<b>M</b>	an..70	Reference number	Use (an15) message reference number of the BGM, tag 1004 of the message this current message refers to
	1156			an..6	Line number	
	4000			an..35	Reference version number	
	1060			an..6	Revision number	

Segment Group	Segment Composite data element (C) Data element TAG	Level	Mandatory Conditional	Format	Description segments/fields	Description of qualifiers and used codes, general remarks on usage of data elements, Usage notes
	<b>RFF</b>		<b>C</b>		<b>REFERENCE</b>	<b>Reference information</b>
	C506		<b>M</b>		REFERENCE	Only if known
	1153		<b>M</b>	an..3	Reference qualifier	'ATZ' Ship's stay reference number 'GDN' General Declaration number 'AAE' Goods declaration number
	1154		<b>M</b>	an..70	Reference identifier	Reference number or declaration number
	1156			an..6	Line number	n.a.
	4000			an..35	Reference version number	n.a.
	1060			an..6	Revision number	n.a.
	<b>RFF</b>		<b>C</b>		<b>REFERENCE</b>	
	C506		<b>M</b>		REFERENCE	
	1153		<b>M</b>	an..3	Reference qualifier	EPC = Electronic port clearance (single window) 'ACE' Related document number 'EPC' Referenced document is sent via EDI and an EPC application 'ROB' Referenced document is available but remains on board
	1154		<b>M</b>	an..70	Reference identifier	'799' Ship's stores declaration '797' Maritime declaration of health '745' Passenger list '744' Crew's effects declaration '250' Crew list declaration '85' Customs manifest
	1156			an..6	Line number	n.a.
	4000			an..35	Reference version number	n.a.
	1060			an..6	Revision number	n.a.



Segment Group	Segment Composite data element (C) Data element TAG	Level	Mandatory Conditional	Format	Description segments/fields	Description of qualifiers and used codes, general remarks on usage of data elements, Usage notes
<b>NAD Gr 1</b>	<b>NAD</b>		<b>M</b>		<b>Name and address</b>	
	3035		<b>M</b>	an..3	<b>NAME and ADDRESS</b>	Sender, Carrier's agent and/or Vessel master are mandatory Name type: 'MS' Message sender 'CG' Carrier's agent 'CPE' Vessel captain (master) 'AM' Authorised official (security officer)
	C082		C		Party function code qualifier	Code if known at receiver, otherwise other fields
	3039		<b>M</b>	an..35	PARTY IDENTIFICATION DETAILS	
	1131			an..17	Party identification	
	3055			an..3	Code list qualifier	
	C058				Code list responsible agency	
	3124			an..35	NAME AND ADDRESS	
	3124			an..35	Name and address line	
	3124			an..35	Name and address line	
	3124			an..35	Name and address line	
	3124			an..35	Name and address line	
	C080		<b>C</b>		Name and address line	
	3036		<b>M</b>	an..35	PARTY NAME	
	3036			an..35	Party name	
	3036			an..35	Party name	
	3036			an..35	Party name	
	3036			an..35	Party name	
	3045			an..3	Party name	
	C059		<b>C</b>		Party name format, coded	
	3042		<b>M</b>	an..35	STREET	
	3042			an..35	Street and number/PO box	
	3042			an..35	Street and number/PO box	
	3042			an..35	Street and number/PO box	
	3164		<b>C</b>	an..35	Street and number/PO box	
	C819				Country sub-entity details	
	3229			an..9	n.a.	
	1132			an..17	n.a.	
	3055			an..3	n.a.	

Segment Group	Segment Composite data element (C) Data element TAG	Level	Mandatory Conditional	Format	Description segments/fields	Description of qualifiers and used codes, general remarks on usage of data elements, Usage notes
	3228			an..70	n.a.	
	3251		<b>C</b>	an..17	Postcode identification	Postal identification code
	3207		<b>C</b>	an..3	Country	ISO 3166-1 two alpha country code, see Part 2, Chapter 4.2. 12
					XXXXXXXX	
<b>NAD Gr 2</b>	<b>CTA</b>		<b>C</b>	<b>NAD</b>	<b>CONTACT INFORMATION</b>	Sender contact details
	3139		<b>M</b>	an..3	Contact function	'IC' = Information contact
	C056				DEPARTMENT OR EMPLOYEE DETAILS	
	3413			an..17	Department or employee identification	n.a.
	3412		<b>C</b>	an..35	Department or employee	Contact person, name or function
<b>CTA</b>	<b>COM</b>		<b>C</b>	<b>NAD/CTA</b>	<b>COMMUNICATION CONTACT</b>	Sender communication contact details
	C076				COMMUNICATION CONTACT	
	3148		<b>M</b>	an..512	Communication number	Communication number
	3155		<b>M</b>	an..3	Communication channel qualifier	'TE' for telephone number 'FX' for fax number 'EM' for e-mail address 'EI' for EDI mailbox number (EDI number <b>or</b> e-mail address for NAD 1 is mandatory if a response in the form of an APERAK message is requested for. If no response is requested, the EDI number and e-mail address is not to be used).
<b>TDT Gr 3</b>	<b>TDT</b>		<b>M</b>		<b>TRANSPORT INFORMATION</b>	Specification of the means of transport, the <b>naming vessel within a convoy</b> (a single vessel without barge is also a convoy in this context)
	8051		<b>M</b>	an..3	Transport stage code qualifier	'20' for main carriage transport
	8028		<b>M</b>	an..17	Conveyance reference number	Voyage number, defined by sender of the message

Segment Group	Segment Composite data element (C) Data element TAG	Level	Mandatory Conditional	Format	Description segments/fields	Description of qualifiers and used codes, general remarks on usage of data elements, Usage notes
	C220		<b>M</b>		MODE OF TRANSPORT	
	8067		<b>M</b>	an..3	Mode of transport, coded	'8' for inland water transport '1' for maritime transport see UN/ECE Rec. 19)
	8066			an..17	Mode of transport	n.a.
	C228		<b>M</b>		TRANSPORT MEANS	
	8179		<b>M</b>	an..8	Type of means of transport identification, <b>convoy type</b>	Code for ship and convoy types of means of transport from UN/CEFACT Rec. 28, see Part 2, Chapter 4.2.1 and Chapter 6
	8178			an..17	Type of means of transport	n.a.
	C040		<b>C</b>		CARRIER	n.a.
	3127		<b>C</b>	an..17	Carrier identification	n.a.
	1131			an..17	Code list qualifier	n.a.
	3055			an..3	Code list responsible agency	n.a.
	3128		<b>C</b>	an..35	Carrier name	n.a.
	8101			an..3	Transit direction, coded	n.a.
	C401				EXCESS TRANSPORTATION INFORMATION	
	8457			an..3	Excess transportation reason	n.a.
	8459			an..3	Excess transportation responsibility	n.a.
	7130			an..17	Customer authorization number	n.a.
	C222		<b>M</b>		TRANSPORT IDENTIFICATION	
	8213		<b>M</b>	an..9	ID. of means of transport identification	Vessel <b>number</b> : 7 digits for OFS or IMO indication, 8 digits for ERN indication and unique European vessel identification number
	1131			an..17	Code list qualifier	'OFS' for a official ship number of CCNR system, see Part 2, Chapter 4.2.2 'IMO' for an IMO number, see Part 2, Chapter 4.2.3 'ERN' for all other ships (electronic reporting international number), see Part 2, Chapter 4.2.4 'ENI' for a unique European vessel identification number, see Part 2, Chapter 4.2.5

Segment Group	Segment Composite data element (C) Data element TAG	Level	Mandatory Conditional	Format	Description segments/fields	Description of qualifiers and used codes, general remarks on usage of data elements, Usage notes
	3055			an..3	Code list responsible agency	n.a.
	8212		<b>M</b>	an..35	ID of the means of transport	<b>Name of the ship.</b> If the name results in more than 35 positions, the name of the vessel is shortened.
	8453		<b>M</b>	an..3	Nationality of means of transport	ISO two-alpha country code 3166-1, see Part 2, Chapter 4.2.12. If the nationality of the means of transport is not known the 3 digit code of the competent authority which issued the European vessel identification number should be used.
	8281			an..3	Transport ownership	n.a.
<b>TDT</b>	<b>RFF</b>		<b>C</b>	<b>TDT</b>	<b>REFERENCE</b>	
	C506		<b>M</b>		REFERENCE	
	1153		<b>M</b>	an..3	Reference qualifier	'VM' Vessel identification 'PEX' Pilotage exemption number
	1154		<b>M</b>	an..70	Reference number	Radio call sign if applicable or the identity of each barge/vessel in a combination (OFS/ERI ID Number of exemption
	1156			an..6	Line number	
	4000			an..35	Reference version number	
	1060			an..6	Revision number	
<b>TDT</b>	<b>DTM</b>		<b>C</b>	<b>TDT</b>	<b>DATE/TIME/PERIOD</b>	
	C507		<b>M</b>		DATE/TIME/PERIOD	
	2005		<b>M</b>	an..3	Date or time or period function code qualifier	Local time at the place of arrival Code '132' = ETA
	2380		<b>M</b>	an..35	Date or time period value	Datetime: CCYYMMDDHHMM
	2379		<b>M</b>	an..3	Date or time or period format code	'203'
<b>TDT</b>	<b>MEA</b>		<b>C</b>	<b>TDT</b>	<b>MEASUREMENTS</b>	
	6311		<b>M</b>	an..3	Measurement purpose qualifier	Measurement application qualifier: 'AAE' Measurement

Segment Group	Segment Composite data element (C) Data element TAG	Level	Mandatory Conditional	Format	Description segments/fields	Description of qualifiers and used codes, general remarks on usage of data elements, Usage notes
	C502		<b>M</b>		MEASUREMENT DETAILS	
	6313		<b>M</b>	an..3	Property measured	Measurement dimension: 'AAM' Gross tonnage of vessel, BT 'AAN' Net tonnage of vessel 'ACS' Length overall, 'ADS' Length bow to bridge 'WM' Width, maximum 'DP' Draft, maximum (depth) 'HM' Height maximum above the water (air draft)
	6321			an..3	Measurement significance	n.a.
	6155			an..17	Measurement attribute identification	n.a.
	6154			an..70	Measurement attribute	n.a.
	C174		<b>M</b>		VALUE/RANGE	
	6411		<b>M</b>	an..3	Measurement unit qualifier	Measure unit qualifier: 'TNE' Metric tons 'CMT' Centimetre 'MTR' Metre
	6314		<b>M</b>	n..18	Measurement value	
	6162			n..18	Range minimum	n.a.
	6152			n..18	Range maximum	n.a.
	6432			n..2	Significant digits	n.a.
	7383			an..3	Surface/layer indicator	n.a.
<b>TDT</b>	<b>FTX</b>		<b>C</b>	<b>TDT</b>	<b>Free text</b>	
	4451		<b>M</b>	an..3	Text subject code qualifier	General subject indicator Text subject type 'ACB' Additional information 'AFJ' Defect description 'HAZ' Hazardous 'AAA' General goods description 'WAS' Waste reporting 'VES' vessel particulars
	4453		<b>C</b>	an..3	Free text function code	If text subject is ACB, WAS, AAA or AFJ here the dangerous goods can be indicated through: 'DGN' = No dangerous goods 'DGY' = Dangerous goods on board

Segment Group	Segment Composite data element (C) Data element TAG	Level	Mandatory Conditional	Format	Description segments/fields	Description of qualifiers and used codes, general remarks on usage of data elements, Usage notes
	C107		<b>C</b>		TEXT REFERENCE	
	4441		<b>C</b>	an..17	Free text identification	'WEX' = Waste report exempt for 'WAS' 'CGS' = Cargo is gassed for 'ACB' For 'HAZ': Co0 = 0 Cone Co1 = 1 Cones Co2 = 2 Cones Co3 = 3 Cones 'B' = Red Flag (B) for IMO 'V' special permit
	1131			an..17	Code list qualifier	
	3055			an..3	Code list responsible agency	
	C108		<b>M</b>			
	4440		<b>C</b>	an..512	Free text	Text description of defects such as AIS, Navigation equipment radar, engine, rudder etc.
	4440		<b>C</b>	an..512	Free text	n.a.
	4440		<b>D</b>	an..512	Free text	n.a.
	4440			an..512	Free text	n.a.
	4440			an..512	Free text	n.a.
	3453			an..3	Language, coded	n.a.
	4447			an..3	Text formatting, coded	n.a.
<b>TDT GR 4</b>	<b>LOC</b>		<b>C</b>	<b>TDT</b>	<b>PLACE/LOCATION IDENTIFICATION</b>	<b>Port.</b>
	3227		<b>M</b>	an..3	Place/location qualifier	Place/location qualifier: '5' Place of departure '94' Previous of port of call '61' Next port of call '89' Place of registration '153' Port of call
	C517		<b>M</b>		LOCATION IDENTIFICATION	
	3225		<b>M</b>	an..25	Place/location identification	UN/ECE location code (Rec. 16) of the port, see Part 2, Chapter 4.2.13
	1131			an..17	Code list qualifier	n.a.
	3055			an..3	Code list responsible agency	n.a.
	3224		<b>C</b>	an..256	Place/location	Full name of the port
	C519				RELATED LOCATION ONE IDENTIFICATION	
	3223			an..25	Related place/location one identification	Terminal code, see Part 2, Chapter 4.2.15

Segment Group	Segment Composite data element (C) Data element TAG	Level	Mandatory Conditional	Format	Description segments/fields	Description of qualifiers and used codes, general remarks on usage of data elements, Usage notes
	1131			an..17	Code list qualifier	n.a.
	3055			an..3	Code list responsible agency	n.a.
	3222			an..70	Related place/location one	Full name of the terminal
	C553				RELATED LOCATION TWO IDENTIFICATION	
	3233			an..25	Related place/location two identification	Fairway section code, see Part 2, Chapter 4.2.14
	1131			an..17	Code list qualifier	
	3055			an..3	Code list responsible agency	n.a.
	3232			an..70	Related place/location two	Fairway section hectometre
	5479			an..3	Relation	n.a.
	<b>DTM</b>		<b>C</b>	<b>TDT/LOC</b>	<b>DATE/TIME/PERIOD</b>	Required if place of registration is given
	C507		<b>M</b>		DATE/TIME/PERIOD	
	2005		<b>M</b>	an..3	Date or time or period function code qualifier	'259' Registration date
	2380		<b>M</b>	an..35	Date or time period value	Date: CCYYMMDD
	2379		<b>M</b>	an..3	Date or time or period format code	'102' date format
<b>TSR Gr 7</b>	<b>TSR</b>		<b>C</b>		<b>Transport service requirements</b>	
	C536		<b>C</b>		Contract and carriage condition	n.a.
	4065		<b>M</b>	an..3	Contract and carriage condition code	n.a.
	1131			an..17	Code list identification code	n.a.
	3055			an..3	Code list responsible agency code	n.a.
	C233		<b>M</b>		Service	n.a.
	7273		<b>M</b>	an..3	Service requirement code	Service requirement: 'BER' Request for mooring service at a berth 'PIL' Request for pilot service 'VTS' Request for Vessel Traffic Services 'TUG' Request for tugboat service 'MAR' Planned handling of MARPOL substances 'SEC' Security services

Segment Group	Segment Composite data element (C) Data element TAG	Level	Mandatory Conditional	Format	Description segments/fields	Description of qualifiers and used codes, general remarks on usage of data elements, Usage notes
	1131			an..17	Code list identification code	n.a.
	3055			an..3	Code list responsible agency code	n.a.
	7273			an..3	Service requirement code	n.a.
	1131			an..17	Code list identification code	n.a.
	3055			an..3	Code list responsible agency code	n.a.
	C537				Transport priority	
	4219			an..3	Transport service priority code	n.a.
	1131			an..17	Code list identification code	n.a.
	3055			an..3	Code list responsible agency code	n.a.
	C703				Nature of cargo	
	7085			an..3	Cargo type classification code	n.a.
	1131			an..17	Code list identification code	n.a.
	3055			an..3	Code list responsible agency code	n.a.
<b>TSR</b>	<b>QTY</b>		<b>C</b>	<b>TSR/QTY</b>	<b>QUANTITY</b>	To indicate the number of crew, passengers and others such as pets or other animals
	C186		<b>M</b>		Quantity details	
	6063		<b>M</b>	an..3	Quantity type code qualifier	'115' = Total number of crew on board including the master '114' = Total number of people on board '14' = Total number of animals on board
	6060		<b>M</b>	an...35	Quantity	Number e.g. 4
	6411		<b>C</b>	an..8	Measure unit code	
<b>TSR Gr 8</b>	<b>LOC</b>		<b>C</b>	<b>TSR</b>	<b>PLACE/LOCATION IDENTIFICATION</b>	<b>Port</b>
	3227		<b>M</b>	an..3	Place/location qualifier	Place/location qualifier: '5' Place of departure '94' Previous of port of call '61' Next port of call '89' Place of registration '153' Port of call



Segment Group	Segment Composite data element (C) Data element TAG	Level	Mandatory Conditional	Format	Description segments/fields	Description of qualifiers and used codes, general remarks on usage of data elements, Usage notes
	C517		<b>M</b>		LOCATION IDENTIFICATION	
	3225		<b>M</b>	an..25	Place/location identification	UN/ECE location code (Rec. 16) of the port, see Part 2, Chapter 4.2.13
	1131			an..17	Code list qualifier	n.a.
	3055			an..3	Code list responsible agency	n.a.
	3224		<b>C</b>	an..256	Place/location	Full name of the port location
	C519		<b>C</b>		RELATED LOCATION ONE IDENTIFICATION	
	3223		<b>M</b>	an..25	Related place/location one identification	Terminal code, see Part 2, Chapter 4.2.15
	1131			an..17	Code list qualifier	n.a.
	3055			an..3	Code list responsible agency	n.a.
	3222		<b>C</b>	an..70	Related place/location one	Full name of the terminal
	C553		<b>C</b>		RELATED LOCATION TWO IDENTIFICATION	
	3233		<b>M</b>	an..25	Related place/location two identification	Fairway section code, see Part 2, Chapter 4.2.14
	1131			an..17	Code list qualifier	
	3055			an..3	Code list responsible agency	n.a.
	3232		<b>C</b>	an..70	Related place/location two	Fairway section hectometre
	5479			an..3	Relation	n.a.
<b>Gr 8</b>	<b>DTM</b>		<b>C</b>	<b>TSR/LOC</b>	<b>DATE/TIME/PERIOD</b>	<b>Date and time of the start of the transport service requirement</b>
	C507		<b>M</b>		DATE/TIME/PERIOD	
	2005		<b>M</b>	an..3	Date or time or period function code qualifier	'132' Arrival date/time, estimated
	2380		<b>M</b>	an..35	Date or time period value	Time: CCYYMMDDHHMM
	2379		<b>M</b>	an..3	Date or time or period format code	'203'
<b>Gr 8</b>	<b>QTY</b>		<b>C</b>	<b>TSR/LOC</b>	<b>Quantity</b>	
	C186		<b>M</b>		Quantity details	Quantity details
	6063		<b>M</b>	an..3	Quantity type code qualifier:	Quantity type code qualifier: '1' Discrete quantity
	6060		<b>M</b>	an..35	Quantity	Number of tugboats required Number of linesman
	6411			an..3	Measurement unit code	n.a.

Segment Group	Segment Composite data element (C) Data element TAG	Level	Mandatory Conditional	Format	Description segments/fields	Description of qualifiers and used codes, general remarks on usage of data elements, Usage notes
<b>Gr 8</b>	<b>POC</b>		<b>M</b>	<b>TSR</b>	<b>Purpose of call</b>	
	C525		<b>M</b>		Purpose of conveyance call	Purpose of conveyance call
	8025		<b>M</b>	an..3	Conveyance call purpose description code	'1' Cargo operation '2' Passenger movement '3' Taking bunkers '4' Changing crew '5' Goodwill visit '6' Taking supplies '7' Repair '8' Laid-up '9' Awaiting orders '10' Miscellaneous '11' Crew movement '12' Cruise, leisure and recreation '13' This is a visit to a port which has been ordered by government '14' Quarantine inspection '15' Refuge '16' Tank cleaning '17' Waste disposal
	1131			an..17	Code list identification code	n.a.
	3055			an..3	Code list responsible agency code	n.a.
	8024			an..35	Conveyance call purpose description	n.a.
<b>Gr 8</b>	<b>FTX</b>		<b>C</b>	<b>TSR/LOC</b>	<b>Free text</b>	<b>Only to be used for security information</b>
	4451		<b>M</b>	an..3	Text subject code qualifier	The security information can be given in 4441 'SEC' Current security information
	4453			an..3	Free text function code	
	C107				TEXT REFERENCE	
	4441			an..17	Free text identification	Level of security S1 Security level 1 S2 Security level 2 S3 Security level 3
	1131			an..17	Code list qualifier	
	3055			an..3	Code list responsible agency	
	C108		<b>M</b>			
	4440		<b>M</b>	an..512	Free text	Further remarks 'PER' followed by the number of persons on board.

Segment Group	Segment Composite data element (C) Data element TAG	Level	Mandatory Conditional	Format	Description segments/fields	Description of qualifiers and used codes, general remarks on usage of data elements, Usage notes
	4440		<b>C</b>	an..512	Free text	ISSC information 'SCN' Security certificate not available 'SCY' Security certificate on board
	4440			an..512	Free text	Here the brand of the car and licence plate number can be given 'CAR' licence number
	4440			an..512	Free text	Free text: Name of the service provider requested for in the TSR segment
	4440			an..512	Free text	
	3453			an..3	Language, coded	
	4447			an..3	Text formatting, coded	
<b>LOC Gr 9</b>	<b>HAN</b>		<b>C</b>	<b>TSR/LOC</b>	<b>Handling instructions</b>	
	C524		<b>M</b>		HANDLING INSTRUCTIONS	Handling instructions
	4079		<b>M</b>	an..3	Handling instructions, coded	Handling instructions coded: 'LLO' 'LOA' = Loading 'LDI' 'DIS' = Discharge 'RES' 'RES' = Re-stow 'T' 'TRA' = Transit 'TSP' 'CTC' = Cargo tank cleaning 'CUS' 'CUS' = Customs declaration only 'BUN' 'BUN' = Bunkering only 'DRY' 'RED' = Repairs in dry-dock 'WET' 'REW' = Repairs in wet-dock 'NCO' = No cargo operation
	1131			an..17	Code list qualifier	n.a.
	3055			an..3	Code list responsible agency, coded	n.a.
	4078			an..70	Handling instructions	Bolder numbers, preferred side for berthing, pilot embarkation point, MFO, MDF, fresh water etc.
	C218				HAZARDOUS MATERIAL	
	7419			an..7	Hazardous material class code, identification	n.a.
	1131			an..17	Code list qualifier	n.a.
	3055			an..3	Code list responsible agency, coded	n.a.
	7418			an..35	Hazardous material class	n.a.

Segment Group	Segment Composite data element (C) Data element TAG	Level	Mandatory Conditional	Format	Description segments/fields	Description of qualifiers and used codes, general remarks on usage of data elements, Usage notes
<b>HAN Gr 10</b>	<b>GDS</b>		<b>C</b>	<b>TSR/LOC/HAN</b>	<b>Nature of cargo</b>	
	C703		<b>M</b>		Nature of cargo	
	7085		<b>M</b>	an..3	Cargo type classification code	Nature of cargo coded (1) '5' Other non-containerised '6' Vehicles '7' Roll-on roll-off '8' Palletised '9' Containerised '10' Break bulk '11' Hazardous cargo '12' General cargo '13' Liquid cargo '14' Temperature controlled cargo '15' Environmental pollutant cargo '16' Not-hazardous cargo '17' Diplomatic '18' Military '19' Obnoxious '21' Household goods '22' Frozen cargo '30' Cargo in bulk (sand, gravel, ore, etc.)
	1131			an..17	Code list identification code.	n.a.
	3055			an..3	n.a.	n.a.
	<b>MEA</b>		<b>C</b>	<b>TSR/LOC/HAN/GDS</b>	<b>Measurements</b>	
	6311		<b>M</b>	an..3	Measurement purpose qualifier	Measurement application qualifier: 'AAE' Measurement
	C502		<b>M</b>		MEASUREMENT DETAILS	Measurement details
	6313		<b>M</b>	an..3	Property measured	Measurement dimension: 'G' Gross weight
	6321			an..3	Measurement significance	
	6155			an..17	Measurement attribute identification	
	6154			an..70	Measurement attribute	
	C174		<b>M</b>		VALUE/RANGE	
	6411		<b>M</b>	an..3	Measurement unit qualifier	Measure unit qualifier: 'KGM' Kilogram 'TNE' Metric tons
	6314		<b>M</b>	n..18	Measurement value	
	6162			n..18	Range minimum	
	6152			n..18	Range maximum	
	6432			n..2	Significant digits	

Segment Group	Segment Composite data element (C) Data element TAG	Level	Mandatory Conditional	Format	Description segments/fields	Description of qualifiers and used codes, general remarks on usage of data elements, Usage notes
	7383			an..3	Surface/layer indicator	
	<b>UNT</b>		<b>M</b>		<b>End and control of completeness of the message</b>	
	0074		<b>M</b>	n..10	Number of segments in a message	
	0062		<b>M</b>	an..14	Message reference number	First 14 positions of the message reference number
	<b>UNZ</b>		<b>M</b>		<b>End and control of the interchange</b>	
	0036		<b>M</b>	n..6	Interchange control count	'1' for number of messages contained in the interchange
	0020		<b>M</b>	an..14	Interchange control reference	First 14 positions of the message reference number

(1) For common maintenance and usage this code table will be added to Part IV of the ERI guide as Annex 20 'Nature of Cargo'.

#### 4. DATA ATTRIBUTES

Legend: M = mandatory, C = conditional, O = optional, indication that attribute is mentioned in IMO FAL Form 1 and/or SOLAS/ISPS

Entity	Data attribute	BERMAN	IMO FAL	SOLAS/ISPS	Mapping	Definition	Condition
<b>Header info:</b>							
	MESSAGE TYPE REQUEST BERTH CODE	M	M = Arr/Dep		BGM.1001	Code identifying the request type of the message (e.g. request for arrival at, departure from berth in port, shift to other berth in port or request for transit through port area) as specified by the sender.	
	MESSAGE REFERENCE	M			BGM.1004	Reference number of the message assigned by the sender this must be unique for the sender within the message type and business application area.	
	MESSAGE FUNCTION INDICATOR	M			BGM.1225	Indication whether the message is an original, a replacement or a cancellation.	

Entity	Data attribute	BERMAN	IMO FAL	SOLAS/ISPS	Mapping	Definition	Condition
	MESSAGE DATE TIME	M	M		DTM(137).2380	Date and time at which the information supplied in the message has been created (local time). (This is not (necessarily) the time the message is processed, converted or sent. It is the date/time of the 'letter' and not the date/time of the 'postal stamp' on the envelope (which is in UNB).)	
	MESSAGE CHANGE REFERENCE PREVIOUS MESSAGE	C			RFF(ACW).1154	Reference number assigned by the sender of the previously sent message instance to which the replacement (or other change(s)) apply.	To be completed in case message is other than original.
	MESSAGE CHANGE REMARKS CODED	C			FTX(CHG).4441	Coded indication of the (kind of) change(s) contained in this message with respect to the previously sent message.	May only be completed in case message is other than original.
	MESSAGE SENDER ID and NAD	M			NAD(MS).3039 and 3124	Identification code of the party sending the message.	
	MESSAGE SENDER CONTACT PERSON	O			CTA(IC).3412 in NAD(MS) group	Name of the contact person of the message sender.	
	MESSAGE SENDER CONTACT PHONE/FAX/E-MAIL	O			COM.3148(TE/FX/EM) in NAD(MS).CTA(IC)	Phone number/fax number/e-mail address of the contact person of the party sending the message.	
	MESSAGE RECIPIENT ID	M			NAD(MR).3039	Identification code of the message recipient.	
<b>Parties info:</b>							
<b>– Agents</b>		M5					
	CARRIER AGENT ID and NAD	M	M		NAD(CG).3039 and 3124	Identification code of the party acting on behalf of the carrier (cargo agent)	
	CARRIER AGENT CONTACT NAME	M			CTA(IC).3412 in NAD(CG) group	Name of the contact person of the carrier's agent.	
	CARRIER AGENT CONTACT PHONE/FAX/E-MAIL	O			COM.3148(TE/FX/EM) in NAD(CG).CTA(IC)	Phone number/fax number/e-mail address of the contact person of the carrier's agent.	
	SHIP OWNER AGENT NAD	C			NAD(DQ).3124	Name and address of the party acting on behalf of the owner of the ship (synonym: ship's operator).	In case of chartered ships.
	SHIP OWNER AGENT CONTACT NAME	C			CTA(IC).3412 in NAD(DQ) group	Name of the contact person of the owner's agent.	In case of chartered ships

Entity	Data attribute	BERMAN	IMO FAL	SOLAS/ISPS	Mapping	Definition	Condition
	SHIP OWNER AGENT CONTACT PHONE/FAX/E-MAIL	O			COM.3148(TE/FX/EM) in NAD(DQ).CTA(IC)	Phone number/fax number/e-mail address of the contact person of the owner's agent.	
	NAME OF CAPTAIN	M	M		NAD(CPE).3124	Name of the Captain of the ship.	
	NAME SHIPS SECURITY OFFICER	O		—	NAD(AM).3124	Name of the person who is assigned the role of ship Security Officer in the context of the ISPS code.	
	ISSC ISSUING AUTHORITY CODE or NAD	C		M	NAD(FO).3039 or 3124	Code or name and address of the Authority who has issued the International Ship Security Certificate (ISSC).	Either the code or the name is to be completed if required by ISPS code dependant on the type of SHIP and voyage.
<b>Ship info:</b>							
	SHIP ID RADIO CALL SIGN	O			RFF(VM).1154 in TDT group	Radio call sign of the ship according the ITU. Note: Should be completed without spaces or hyphens.	Only for sea going ships if required.
	SHIPS IDENTITY NUMBER	M	M		TDT(20).8213	Identification of the ship (IMO number or the unique ships identity number).	
	SHIP NAME	M	M		TDT.8212	Name of the vessel.	
	SHIP NATIONALITY	M	M		TDT.8453	Code for nationality of the ship according to UN country code.	
	CARRIER ID	O			TDT.3127	Identification of the carrier/ship's owner of the vessel e.g. from the SCAC code list (Standard Carrier Alpha Code USA).	This is the US code for carriers.
	CARRIER NAD	O			NAD(CA).3124	Name and address of the carrier/owner of the ship.	
	SHIP TYPE CODE	M	M		TDT.8179	Code for vessel type according to UN/Recommendation 28.	
	SHIP LENGTH	M			MEA(AAE).(ACS).(MTR).6314 in TDT group	Length of vessel overall in accordance with the Certificate of Registry.	
	SHIP WIDTH MAXIMUM	O			MEA(AAE).(WM).(MTR).6314 in TDT group	Maximum distance from side to side of the ship.	
	SHIP DEADWEIGHT	O			MEA(AAE-)(ABY).(TNE). 6314	Registered summer dead weight total tonnage of the ship.	
	SHIP TONNAGE GROSS	O	M		MEA(AAE).(AAM).(TNE).6314 in TDT group	Gross tonnage in accordance with the certificate of registry.	

Entity	Data attribute	BERMAN	IMO FAL	SOLAS/ISPS	Mapping	Definition	Condition
	SHIP HELISPOT PRESENT INDICATOR	X			FTX.(TDT).4441 in TDT group	Indication that the vessel is equipped with a helispot (a place where a helicopter can land and take off).	Not used in inland waterway transportation.
	SHIP PILOTAGE EXEMPTION NUMBER	O			RFF.(PEX).1154	The number of the declaration granting exemption with respect to the requirement to use piloting services for the ship to enter or leave the port.	
	SHIP WASTE REPORTING EXEMPTION INDICATOR	O			FTX.(WAS).4441 in TDT group	Indication that the ship is exempted to file a waste report for the ship's call in the port.	
	SHIP REGISTRY CERTIFICATE PLACE CODE and NAME	O	O		LOC(89).3225 in TDT group	Name/code of the place where the ship was officially registered.	UN/LOCODE
	SHIP REGISTRY DATE	O	O		DTM(597).2380(102). In TDT.LOC group	Date that the ship was officially registered.	
	SHIP REGISTRY NUMBER	C	O		TDT (20).8213	Number assigned by the registration authority in the place where the ship was officially registered. For inland shipping this is the official number.	If the number is known it should be submitted for control purposes, see also identity number.
<b>Voyage info:</b>							
	Port of arrival/departure	M	M		LOC(153).3225 in TDT group	Voyage particulars. Code according to un/locoed.	UN/LOCODE
	ENTRY POINT AT THE PORT	C			LOC(153).C519.3223 in TDT group	Code/name for the point of entry where the ship will enter the port area (VTS area). e.g. pilot station.	For arrival
	EXIT POINT OF THE PORT	C			LOC(153).C553.3223 in TDT group	Code/name for the point of exit where the ship will leave the port area (VTS area). e.g. pilot station	For departure
	PREVIOUS PORTS OF CALL CODED	C	O		LOC(94).3225 in TDT group	Code for the previous port of call of the ship. Code according to UN/LOCODE.	To be completed in case berth request type is arrival or transit. UN/LOCODE
	NEXT PORT OF CALL CODED	C			LOC(61).3225 in TDT group	Code for the next port of call of the SHIP. Code according UN/LOCODE — Note: Add code XXXXX for 'Unknown'.	To be completed in case berth request type is departure or transit. UN/LOCODE



Entity	Data attribute	BERMAN	IMO FAL	SOLAS/ISPS	Mapping	Definition	Condition
	PORT OF CALL NEXT TEXT	C			LOC(61).3224 in TDT group	Textual description for the next port of call, including e.g. additional details such as: at anchor, waiting for orders.	May be completed in case berth request type is departure or transit.
	PORT OF ORIGIN CODE	O			LOC(5).3225 in TDT group	Code for the port where the voyage of the ship started.	
	PORT/ORIGIN TEXT	O			LOC(5).3224 in TDT group	Name of the port where the voyage of the ship started.	
	PORT OF DESTINATION CODE	O			LOC(8).3225 in TDT group	Code for the port where the voyage of the ship will end.	UN/LOCODE
	PORT OF FINAL DESTINATION TEXT	O			LOC(8).3224 in TDT group	Name of the port where the voyage of the ship ends.	
	HAZARDOUS GOODS YES/NO	M			FTX(HAZ).DGY 4453 in TDT group	Indication whether ship carries dangerous goods during voyage or not.	
	HAZARDOUS CLASS AND CONES	D			FTX(HAZ)4441 in TDT group	Indication that the cones are carried and for what ADNR class these are applicable.	
	DANGEROUS GOODS DATA ON BOARD AVAILABLE INDICATOR	O			FTX(HAZ).DGM in TDT group	Confirmation that a listing of the data or manifest or appropriate bay plan/loading plan giving details of the dangerous or polluting goods carried and of their location on the ship is on board or has been made available through an electronic means.	If required for control purposes a computer listing should be sufficient to ensure that the information is available.
	CARGO GASED INDICATOR	O			FTX (CGS) 4441	Indication that cargo has been gassed.	
	CARGO DESCRIPTION TEXT	O	C		FTX(AAA).4440 in TDT group	General or brief description of the cargo on board the ship.	If available the HS code should be used.
	WASTE REPORTING	O		O	FTX (WAS) 4451 4441 (WEX) is waste reporting exemption	Indicator that waste is on board or that the ship has an exemption on reporting. of waste.	
	REPORTED DEFECTS TEXT	O			FTX(AFJ).4440 in TDT group	Text describing the relevant defects to the equipment or cargo (e.g. to radars, GPS equipment, gyro or other compass, radio equipment, any defects or damage to the ship or engines.	

Entity	Data attribute	BERMAN	IMO FAL	SOLAS/ISPS	Mapping	Definition	Condition
	VOYAGE DETAILS TEXT	O	O		FTX(TDT).4440 several lines	Textual remarks regarding any events about the ship or her voyage such as safety aspects e.g. ship was involved in accident, run aground, suffered damage.	
	VOYAGE NUMBER	C			TDT.8028		If this number is available.
	SHIP'S STAY REFERENCE	C			RFF(ATZ).1154 in TDT group	A visit number for the ship's stay in the port, assigned by the Authority (e.g. PA, Customs or PCS).	To be completed in case message is other than original.
	DRAFT DEEPEST	M			MEA(AAE).(DP). (MTR).6311 in TDT group	Depth of the ship in the water measured at the draft mark.	
	DRAFT ACTUAL FORWARD	C			MEA(AAE).(AEQ). (MTR).6311 in TDT group		
	DRAUGHT ACTUAL AFT	C			MEA(AAE).(AER). (MTR).6311 in TDT group	Depth of the ship in the water measured at the draft mark of the stern.	
	MANOEUVRING SPEED	O			MEA(ABS).(NMH new code).6314 in TDT group	The manoeuvring speed of the ship at the pilot station location or port area entrance.	
	ETA AT PORT	M	M		DTM(132).2380 in TDT.LOC group	Expected date/time of arrival of the ship at the entry point or the port area of the port of call, expressed in local time.	To be completed in case berth request type is arrival.
	ETD FROM PORT	C	C		DTM(133).2380 in TDT.LOC group	Expected date/time of departure of the ship in the port of call (where this notification message is issued), expressed in local time.	To be completed in case berth request type is departure.
	<b>Berth planning:</b>	<b>C,9</b>			TSR(BPL=Planning) group	Berth that is planned to be visited by the ship during the call in port.	Is not to be completed in case berth request type is departure or transit.
	BERTH CODE	C			LOC(164).3225 in TSR group	Code for the berth for the ship in port of call, at which the SHIP will moor in the port.	Code or text for the berth is to be completed.

Entity	Data attribute	BERMAN	IMO FAL	SOLAS/ISPS	Mapping	Definition	Condition
	BERTH TEXT	C			LOC(164).3224 in TSR group	Description for the berth for the ship in the port of call, at which the ship will moor in the port, including e.g. additional details such as: jetty number or moorage pile/buoy.	Code or text for the berth is to be completed.
<b>Berth request:</b>		<b>C,9</b>			TSR(BER) group		To be completed in case berth request type is other than transit.
	NUMBER/CREW ON BOARD	C	O		QTY(115).6060 in TSR group	Total number of crew on board the ship, including the master.	To be completed in case berth request type is arrival or departure.
	NUMBER/PEOPLE ON BOARD	M	M		QTY(114).6060 in TSR	Total number of people on board the ship, crew, passengers and stowaways included.	To be completed in case berth request type is arrival or departure.
	NUMBER OF PASSENGERS ON BOARD	O	C		QTY(115).6060 in TSR group	Total number of passengers on board the ship.	To be completed in case of passenger vessels.
	NUMBER OF ANIMALS ON BOARD	O			QTY(14).6060 in TSR group	Number of animals kept on board.	To be completed in case berth request type is arrival or departure.
	PRIORITY INDICATOR FOR PASSING LOCKS	O			TSR.4219	Indication that priority is requested for passing the locks.	
<b>- Berth</b>		<b>M,1</b>			LOC(164) group in TSR group	Information on the berth at which the ship will moor in the port of call.	
	BERTH CODE	C			LOC(164).3225 in TSR group	Code for the berth for the ship in the port of call.	Code or text for the berth is to be completed.
	BERTH TEXT	C			LOC(164).3224 in TSR group	Name of the berth in port of call, at which the ship will moor in the port, including e.g. additional details such as: jetty number or moorage pile/buoy 20-36.	Code or text for the berth is to be completed.

Entity	Data attribute	BERMAN	IMO FAL	SOLAS/ISPS	Mapping	Definition	Condition
	BERTH MOORING INFO CODE	O			LOC(164).3223 in TSR group	Code for the mooring information for the ship at the berth in port of call. The first 2 characters specify the Mooring side info (such as portside mooring) of the ship, and these may be followed by 2 characters specifying the Berth extension info (such as mooring north to buoy). Format: XX or XX--; where XX is mooring side info and -- is berth extension info.	
	BERTH RANGE TO CODE	O			LOC(164).3233 in TSR group	Code for the up to berth in a range of berths in case the ship occupies a range of berths in the port.	
	ETA AT BERTH	C			DTM (132).2380 in TSR.LOC group	Expected date/time of arrival of the ship at the berth in the port of call, expressed in local time.	To be completed in case berth request type is arrival.
	ETD AT BERTH	C			DTM(133).2380 in TSR.LOC group	Expected date/time of departure of the ship from the berth in the port of call, expressed in local time.	To be completed in case berth request type is departure or shift.
	<b>Requested services at berth:</b>	O,4			HAN in TSR.LOC group		
	PORT SERVICE REQUESTED CODE	O			HAN.4079 in TSR.LOC group	Code for the service that is requested to be arranged for the arrival/departure/transit of the ship in the port of call or for shifting berths in the port (e.g. arrange pilotage, arrange linesman, arrange tugs, arrange disposal of waste).	
	PORT SERVICE REMARKS TEXT	O			HAN.4078 in TSR.LOC group	Text for the special services that are requested to be arranged for the arrival/departure/transit of the ship in the port of call in the port (e.g. number of linesman, pilots or tugs to be decided in consultation with captain).	
	NUMBER/PILOTS REQUIRED	D			QTY(321).6060 in TSR.LOC group	Including VTS/VTM services.	Only to be completed in case port service is pilotage.
	NUMBER/TUGBOATS REQUIRED	C			QTY(459).6060 in TSR.LOC group		Only to be completed in case port service is tugs.

Entity	Data attribute	BERMAN	IMO FAL	SOLAS/ISPS	Mapping	Definition	Condition
	LINESMAN COMPANY ID and NAD	O			NAD(BOA).3039 and 3124 in TSR.LOC.HAN group	Name of the party responsible for mooring the ship at the berth in the port.	
	PILOT COMPANY ID and NAD	O,2			NAD(PIL).3039 and 3124 in TSR.LOC.HAN group	Name of the party responsible for the pilotage of the ship in the port area and the harbour approach.	
	TUG COMPANY ID and NAD	O,2			NAD(TOW).3039 and 3124 in TSR.LOC.HAN group	Name of the party responsible for the delivery of tug services to the ship.	
	TYPE OF CALL AT BERTH CODED	O			POC.8025 in TSR.LOC group	Code for the type of action at the berth, (e.g. cargo operation, bunkering, repair, disposal of waste, bunkering, tank cleaning, de-gassing, changing crew).	
	TYPE OF CALL AT BERTH TEXT	O			POC.8024 in TSR.LOC group	Description for the type of action at the berth.	
<b>– Berth to (next berth)</b>		<b>C,1</b>			LOC(217=Next berth) group in TSR group	Information on the next berth to which the ship will shift in the port of call.	Only to be completed in case berth request type is shift.
	BERTH CODE	C			LOC(217).3225 in TSR group	Code for the berth for the ship in port of call, at which the ship will moor in the port.	Code or text for the berth is to be completed.
	BERTH TEXT	O			LOC(217).3224 in TSR group	Description for the berth for the ship in port of call, at which the ship will moor in the port, including e.g. additional details such as: jetty number or moorage pile/buoy.	Code or text for the berth is to be completed.
	BERTH MOORING INFO OF SHIP CODED	O			LOC(164).3223 in TSR group	Code for the mooring information for the ship at the berth in port of call. The first 2 characters specify the Mooring side info (such as portside mooring) of the ship, and these may be followed by 2 characters specifying the Berth extension info (such as mooring north to buoy). Format: XX or XX; where XX is mooring side info and -- is berth extension info.	



Entity	Data attribute	BERMAN	IMO FAL	SOLAS/ISPS	Mapping	Definition	Condition
<b>Transit request:</b>		<b>C,1</b>			<b>TSR group</b>		To be completed in case the request type is transit.
	SHIP OUTBOUND/ INBOUND INDICATOR	C			TSR.7273	Code to indicate whether the ship's voyage through the port area is outbound or inbound without requesting berth in the port area.	Only for ships in transit through the seaport area. Outbound is towards the sea. Inbound is upstream.
	NUMBER/CREW ON BOARD	C	C		QTY(115).6060 in TSR group	Total number of crew on board the ship, including the master.	
	NUMBER/PEOPLE ON BOARD	M	M		QTY(114).6060 in TSR	Total number of people on board the ship, crew and passengers included, irrespective of their age.	
	REQUESTED PRIORITY FOR PASSING LOCK	O			TSR.4219	Indication of the requested priority for passing the locks.	
<b>– Activity location:</b>		<b>O,1</b>			<b>LOC(175) group in TSR group</b>		
	ACTIVITY LOCATION CODE	C			LOC(164).3225 in TSR group	Code for the location where a certain activity takes place, e.g. the place where pilot will embark/disembark	Code or text for the activity location is to be completed.
	ACTIVITY LOCATION TEXT	C			LOC(164).3224 in TSR group	Description for the place where a certain activity takes place, e.g. where pilot will embark/disembark	Code or text for the activity location is to be completed.
	ETA AT ACTIVITY LOCATION	O			DTM (132).2380 in TSR.LOC group	Expected date/time of arrival of the ship at the berth in the port of call, expressed in local time.	
<b>– Port services at activity location:</b>		<b>M,2</b>			<b>HAN in TSR.LOC group</b>		
	PORT SERVICE REQUESTED CODE	C			HAN.4079 in TSR.LOC group	Code for the service that is requested to be arranged for the arrival/departure/transit of the ship in the port of call or for shifting berths in the port (e.g. arrange pilotage, arrange linesman, arrange tugs, arrange disposal of waste).	
	PORT SERVICE REMARKS TEXT	O			HAN.4078 in TSR.LOC group	Text for the special services that are requested to be arranged for the arrival/departure/transit of the ship in the port of call in the port e.g. number of linesman, pilots or tugs to be decided in consultation with captain.	

Entity	Data attribute	BERMAN	IMO FAL	SOLAS/ISPS	Mapping	Definition	Condition
	SHIP NUMBER/PILOTS REQUIRED	C			QTY(321).6060 in TSR.LOC group		May only be completed in case port service is pilotage.
	SHIP NUMBER/TUGBOATS REQUIRED	C			QTY(459).6060 in TSR.LOC group		May only be completed in case port service is towage.
	PILOT COMPANY ID and NAD	O			NAD(PIL).3039 and 3124 in TSR.LOC.HAN group	Name of the party responsible for the provision of pilots for the ship in the port area and the harbour approach).	
	TOWAGE COMPANY ID and NAD	O			NAD(TOW).3039 and 3124 in TSR.LOC.HAN group	Name of the party responsible for the provision of tugs in the port.	
<b>Ship security services:</b>		C			<b>TSR(SEC) group</b>	To be completed in case required by ISPS code (e.g. depending on type of ship, ship is engaged in international voyage and ship's gross tonnage.	
	ISSC ON BOARD YES/NO	D		M	FTX(SEC new code).4441	Confirmation that a valid (Interim) International Ship Security Certificate (ISSC) — as issued under the provisions of part A of the International Ship and Port Facility Security (ISPS) Code, adopted by the Conference of Contracting Governments on 12 December 2002, in the amendments to the annex to the International Convention of Safety of Life at Sea (SOLAS), 1974 and as may be amended under agreed provisions — is available on board or not.	
	SECURITY LEVEL CURRENT CODE	D		M	FTX(SEC new code).4441	Indication of the security level (as defined in the ISPS code) at which the ship is currently operating (i.e. at the date/time of this message). Values: 1, 2, 3.	



Entity	Data attribute	BERMAN	IMO FAL	SOLAS/ISPS	Mapping	Definition	Condition
	SECURITY RELATED INFO TEXT	O		O	FTX(SEC new code).4440	Text describing other practical security related information (but not details of the SHIP security plan), taking into account the guidance given in part B of the ISPS code (e.g. security measures currently in force on the ship).	
	CAPABLE TO EXECUTE ISPS CODE YES/NO	D		—	FTX(SEC).4441	Indication whether or not the ship's crew is capable of executing the ISPS code (i.e. maintaining security of the whole ship at all possible security levels according to ISPS code).	
	SECURITY MEASURES REQUESTED	O		—	FTX(SER).4440	Text describing any special or additional security measures that are requested to be executed by the port facility concerning the ship/port interface to be conducted (e.g. access controls, supervision of ship's stores).	
	SECURITY PROCEDURES FOLLOWED YES/NO	O		M	FTX(SEH Security history).4441	Indication whether or not appropriate ship security procedures were maintained during the 10 last calls at port facilities including ship to ship operations at sea during a certain time-frame).	
	<b>– Previous ports security info:</b>	D,10		M		To be completed at least once and to occur maximum 10 times for the last 10 calls at port facilities in previous ports of call of the ship (so, where a ship/port interface was conducted).	
	SECURITY LEVEL AT PREVIOUS PORT FACILITY	D		M	FTX(SEH Security history).4441	Indication of the security level at which the ship operated in a previous port where it has conducted a ship/port interface. Values: 1, 2, 3.	

Entity	Data attribute	BERMAN	IMO FAL	SOLAS/ISPS	Mapping	Definition	Condition
	PORT OF CALL PREVIOUS CODE	D			LOC(94).3225 in TSR group	Code for the previous port of call of the ship where the ship/port interface was conducted.	UN/LOCODE
	D/T ATA-ATD PERIOD PORT/CALL PREVIOUS	O			DTM(512).2380(711)	Period between actual date/time of arrival and the actual time of depar- ture of the ship in previ- ous port of call, expressed in local time.	
	SECURITY MEASURES AT PREVIOUS PORT FACILITY TEXT	O		O	FTX(SEH).4440	Text describing any spe- cial or additional security measures that were taken by the ship in the previ- ous port where it had conducted a ship/port interface.	